



Nothing but **HEAVY DUTY**.®



## **C12 RT**

User Manual

操作指南

操作指南

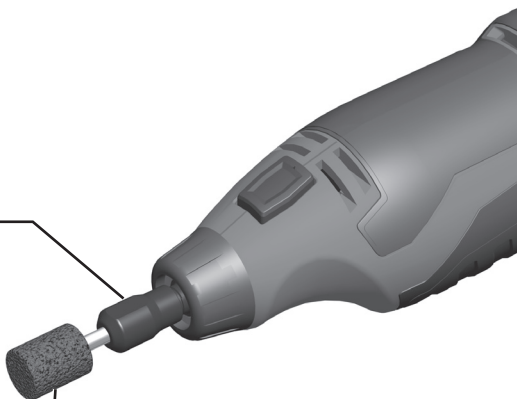
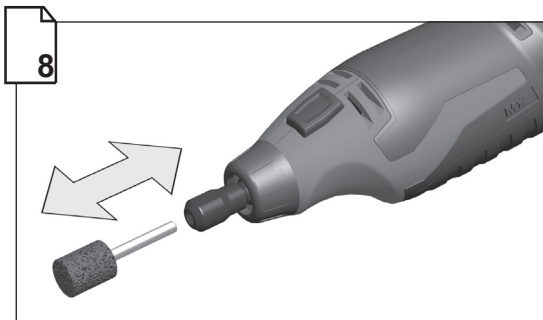
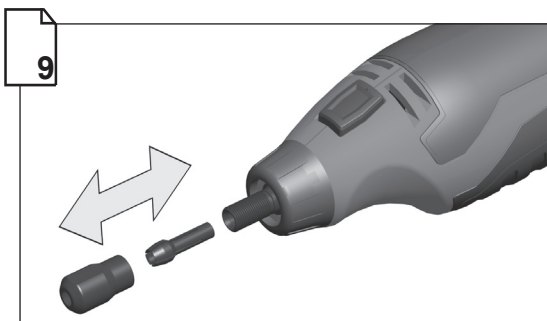
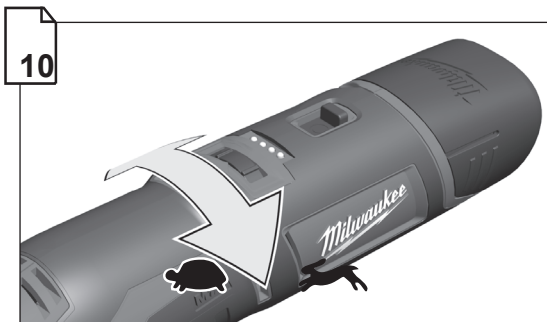
사용시 주의사항

คู่มือการใช้

Buku Petunjuk Pengguna









Remove the battery pack before starting any work on the machine.

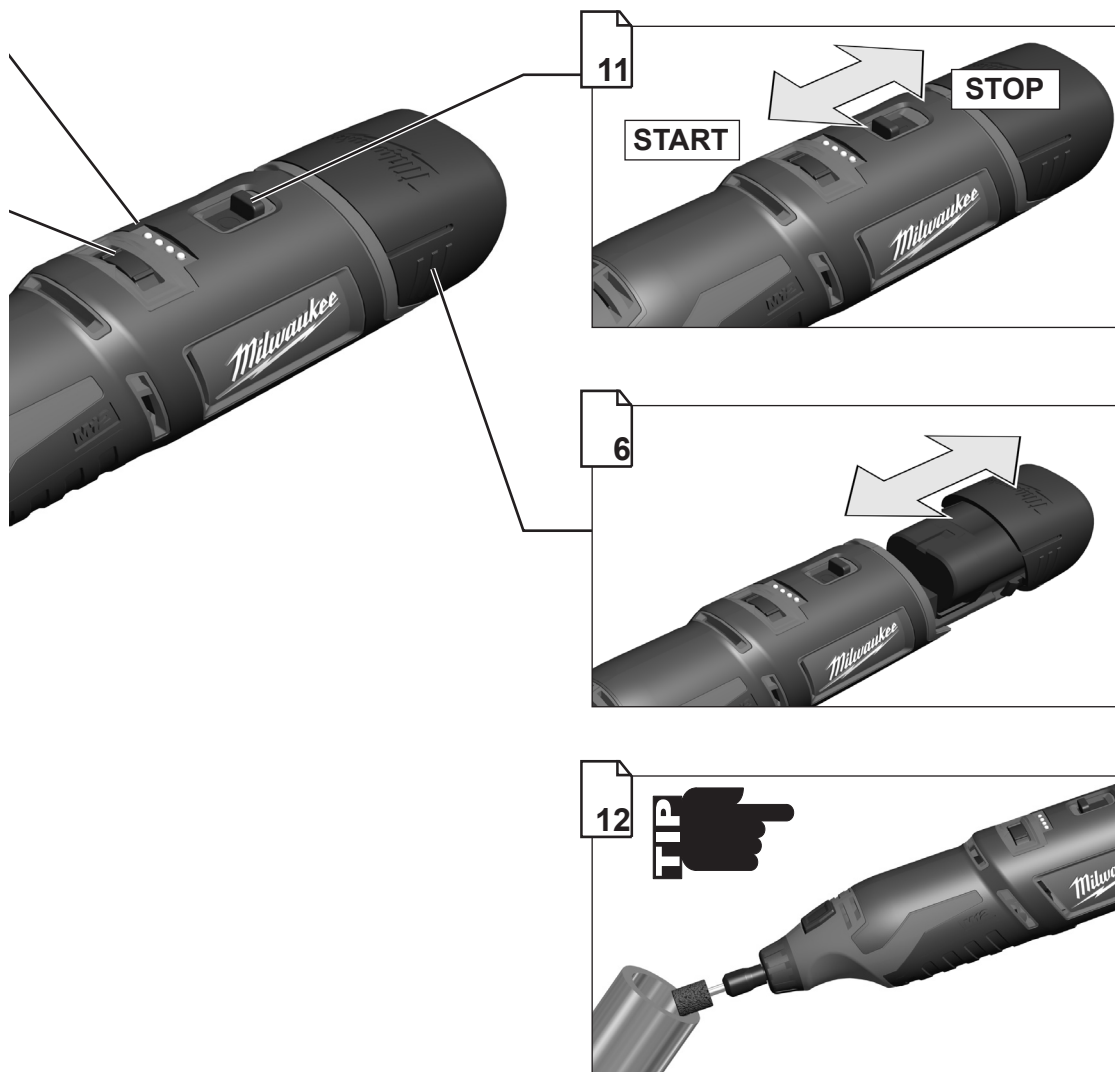
在機器上做任何調整前，請先移除電池。

在機器上进行任何修護工作之前，先拿出蓄電池。

기기를 사용하지 않을 때는 배터리를 빼어두십시오.

ถอดก้อนแบตเตอรี่ก่อนที่จะเริ่มการใช้งานใดๆ

Keluarkan pek baterai sebelum memulakan sebarang kerja pada mesin.





Remove the battery pack before starting any work on the machine.

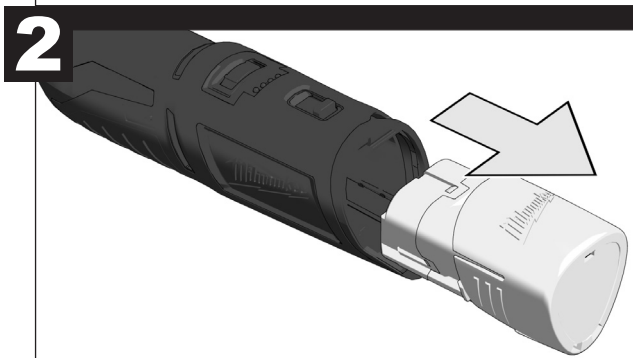
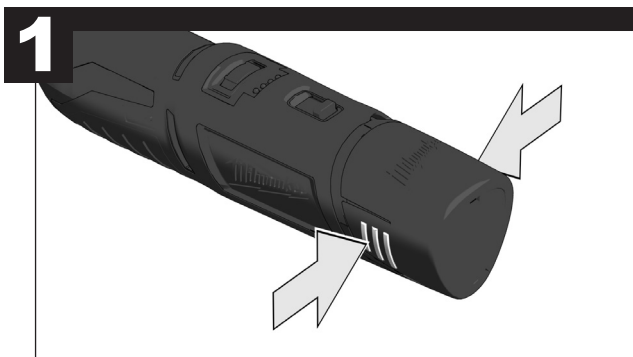
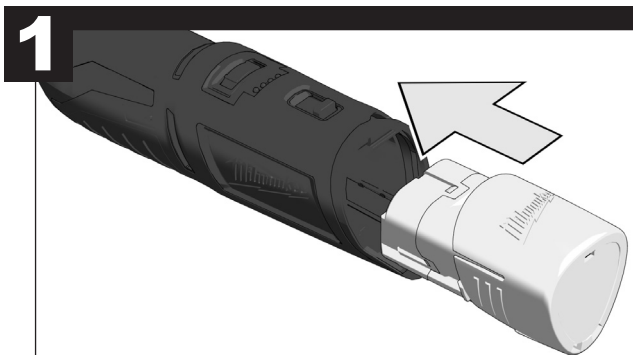
在機器上做任何調整前，請先移除電池。

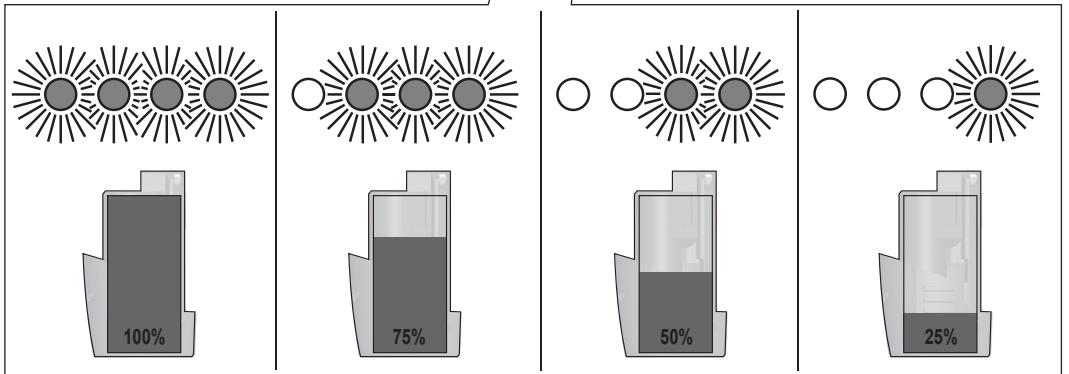
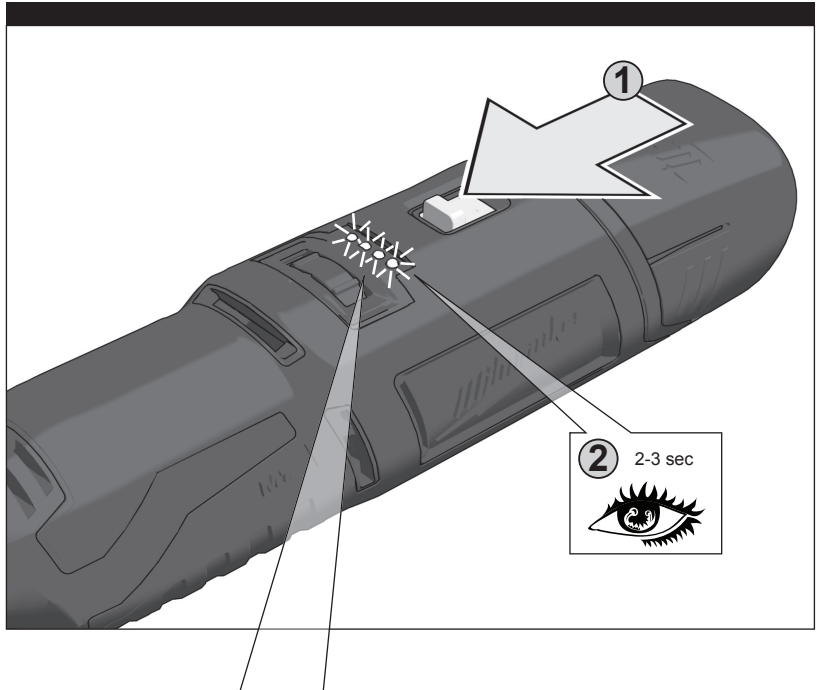
在機器上進行任何修護工作之前，先拿出蓄電池。

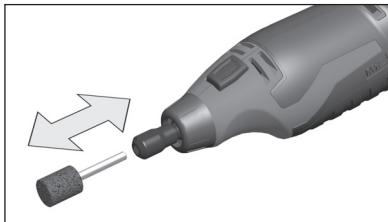
기기를 사용하지 않을 때는 배터리를 빼어두십시오.

ถอดถั ้อนแบตเตอรี่ก่อนที่จะเริ่มการใช้งานใดๆ

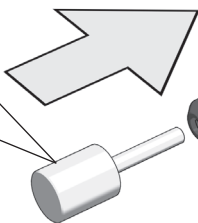
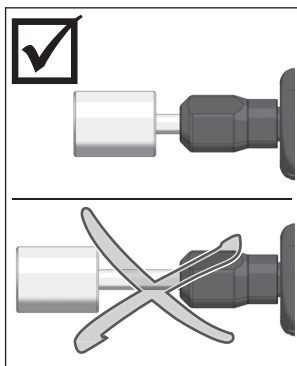
Keluarkan pek baterai sebelum memulakan sebarang kerja pada mesin.



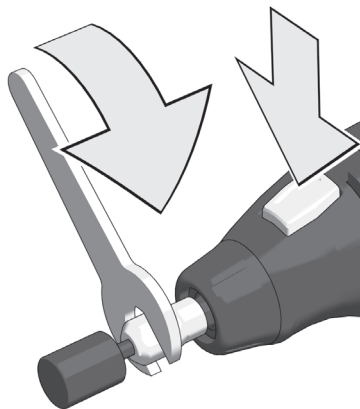




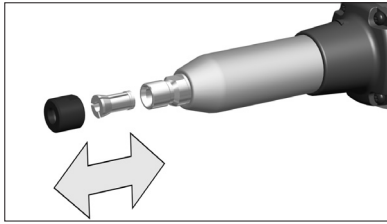
**1**



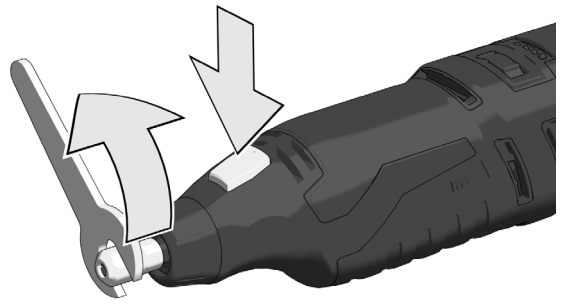
**2**



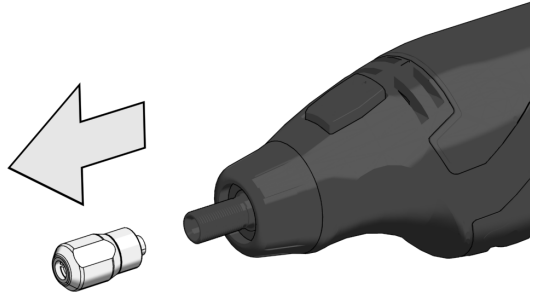




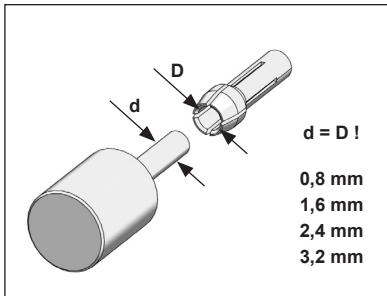
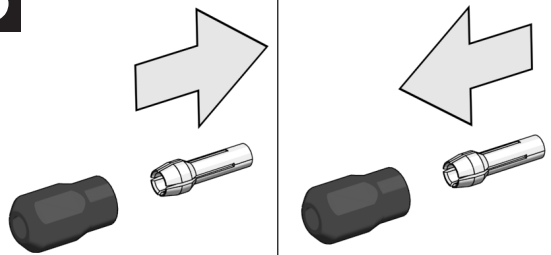
**1**



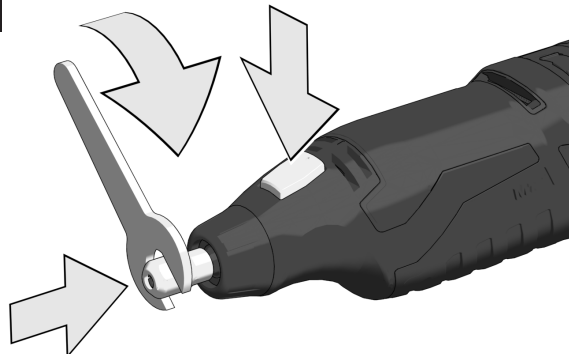
**2**

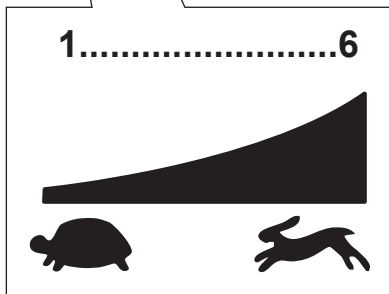
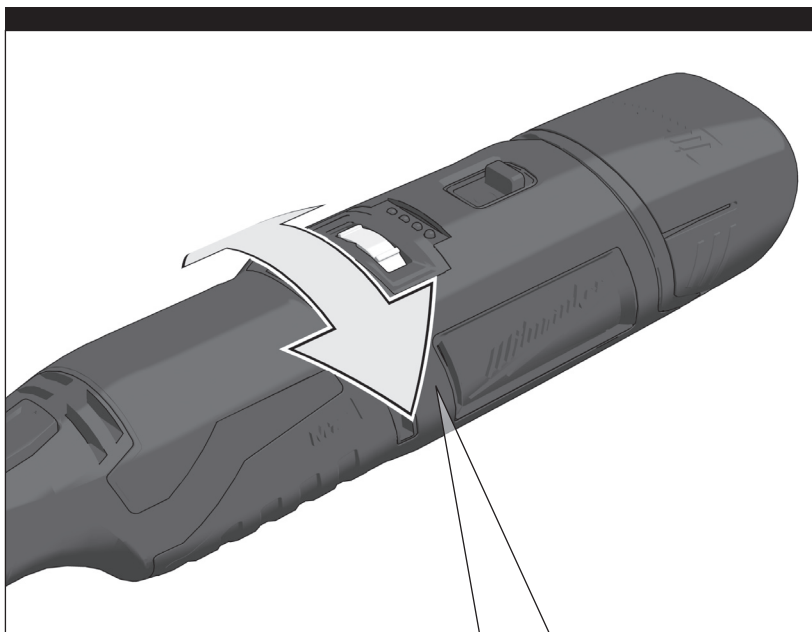


**3**



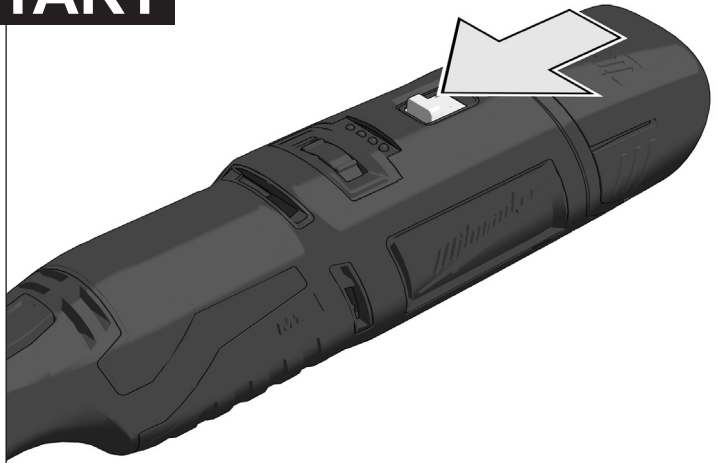
**4**



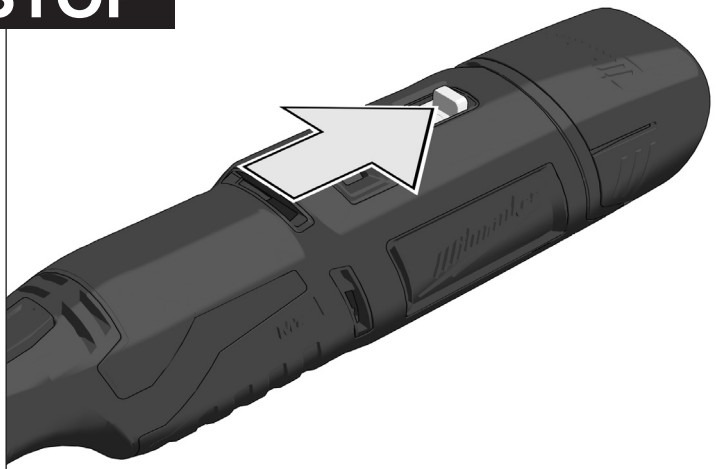




**START**



**STOP**







Battery voltage	12 V
Rated speed	5000-37000 min <sup>-1</sup>
Collet diameter	0.8 / 1.6 / 2.4 / 3.2 mm
Abrasive grinding body diameter, maximum	
ceramic or rubber bonded abrasive product	25 mm
resinoid-bonded abrasive product	25 mm
Weight according EPTA-Procedure 01/2003	0.62 kg

#### Noise/vibration information

Measured values determined according to EN 60745.

Typically, the A-weighted noise levels of the tool are:

Sound pressure level (Uncertainty K = 3 dB(A))	73 dB (A)
Sound power level (Uncertainty K = 3 dB(A))	84 dB (A)

#### Wear ear protection!

Total vibration values (vector sum in the three axes) determined according to EN 60745:

Vibration emission value  $a_h$

Drilling into metal	2.4 m/s <sup>2</sup>
Uncertainty K	1.5 m/s <sup>2</sup>
Sanding	2.6 m/s <sup>2</sup>
Uncertainty K	1.5 m/s <sup>2</sup>
Grinding metal	3.1 m/s <sup>2</sup>
Uncertainty K	1.5 m/s <sup>2</sup>
Grinding stone	1.8 m/s <sup>2</sup>
Uncertainty K	1,5 m/s <sup>2</sup>
Cutting of metal	3.4 m/s <sup>2</sup>
Uncertainty K	1.5 m/s <sup>2</sup>

#### WARNING!

The vibration emission level given in this information sheet has been measured in accordance with a standardized test given in EN 60745 and may be used to compare one tool with another. It may be used for a preliminary assessment of exposure.

The declared vibration emission level represents the main applications of the tool. However if the tool is used for different applications, with different accessories or poorly maintained, the vibration emission may differ. This may significantly increase the exposure level over the total working period.

An estimation of the level of exposure to vibration should also take into account the times when the tool is switched off or when it is running but not actually doing the job. This may significantly reduce the exposure level over the total working period.

Identify additional safety measures to protect the operator from the effects of vibration such as: maintain the tool and the accessories, keep the hands warm, organisation of work patterns.

 **WARNING!** Read all safety warnings and all instructions.

Failure to follow the warnings and instructions may result in electric shock, fire and/or serious injury.

**Save all warnings and instructions for future reference.**

## SAFETY INSTRUCTIONS

### Safety warnings common for grinding

- a. This power tool is intended to function as a grinder. Read all safety warnings, instructions, illustrations and specifications provided with this power tool. Failure to follow all instructions listed below may result in electric shock, fire and/or serious injury.
- b. Operations such as wire brushing, cut-off, sanding and polishing are not recommended to be performed with this power tool. Operations for which the power tool was not designed may create a hazard and cause personal injury.
- c. Do not use accessories which are not specifically designed and recommended by the tool manufacturer. Just because the accessory can be attached to your power tool, it does not assure safe operation.
- d. The rated speed of the accessory must be at least equal to the maximum speed marked on the power tool. Accessories running faster than their rated speed can break and fly apart.
- e. The outside diameter and the thickness of your accessory must be within the capacity rating of your power tool. Incorrectly sized accessories cannot be adequately guarded or controlled.
- f. The arbour size of wheels, sanding drum or any other accessory must properly fit the spindle or collet of the power tool. Accessories that do not match the mounting hardware of the power tool will run out of balance, vibrate excessively and may cause loss of control.
- g. Mandrel mounted wheels, sanding drums, cutters or other accessories must be fully inserted into the collet or chuck. The "overhang" or the length of the mandrel from the wheel to the collet must be minimal. If the mandrel is insufficiently held and/or the overhang of the wheel is too long, the mounted wheel may become loose and ejected at high velocity.
- h. Do not use a damaged accessory. Before each use inspect the accessory such as abrasive wheels for chips and cracks, backing pad for cracks, tear or excess wear, wire brush for loose or cracked wires. If power tool or accessory is dropped, inspect for damage or install an undamaged accessory. After inspecting and installing an accessory, position yourself and bystanders away from the plane of the rotating accessory and run the power tool at maximum no-load speed for one minute. Damaged accessories will normally break apart during this test time.
- i. Wear personal protective equipment. Depending on application, use face shield, safety goggles or safety glasses. As appropriate, wear dust mask, hearing protectors, gloves and shop apron capable of stopping small abrasive or workpiece fragments. The eye protection must be capable of stopping flying debris generated by various operations. The dust mask or respirator must be capable of filtering particles generated by your operation. Prolonged exposure to high intensity noise may cause hearing loss.
- j. Keep bystanders a safe distance away from work area. Anyone entering the work area must wear personal protective equipment. Fragments of workpiece or of a broken accessory may fly away and cause injury beyond

immediate area of operation.

- k. Hold power tool by insulated gripping surfaces, when performing an operation where the cutting accessory may contact hidden wiring. Cutting accessory contacting a "live" wire may make exposed metal parts of the power tool "live" and could give the operator an electric shock.
- l. Always hold the tool firmly in your hands during the start-up. The reaction torque of the motor, as it accelerates to full speed, can cause the tool to twist.
- m. Use clamps to support workpiece whenever practical. Never hold a small workpiece in one hand and the tool in the other hand while in use. Clamping a small workpiece allows you to use both hands to control the tool. Round material such as dowel rods, pipes or tubing have a tendency to roll while being cut, and may cause the bit to bind or jump toward you.
- n. Never lay the power tool down until the accessory has come to a complete stop. The spinning accessory may grab the surface and pull the power tool out of your control.
- o. After changing the bits or making any adjustments, make sure the collet nut, chuck or any other adjustment devices are securely tightened. Loose adjustment devices can unexpectedly shift, causing loss of control, loose rotating components will be violently thrown.
- p. Do not run the power tool while carrying it at your side. Accidental contact with the spinning accessory could snag your clothing, pulling the accessory into your body.
- q. Regularly clean the power tool's air vents. The motor's fan will draw the dust inside the housing and excessive accumulation of powdered metal may cause electrical hazards.
- r. Do not operate the power tool near flammable materials. Sparks could ignite these materials.
- s. Do not use accessories that require liquid coolants. Using water or other liquid coolants may result in electrocution or shock.

### Kickback and related warnings

Kickback is a sudden reaction to a pinched or snagged rotating wheel, backing pad, brush or any other accessory. Pinching or snagging causes rapid stalling of the rotating accessory which in turn causes the uncontrolled power tool to be forced in the direction opposite of the accessory's rotation at the point of the binding.

For example, if an abrasive wheel is snagged or pinched by the workpiece, the edge of the wheel that is entering into the pinch point can dig into the surface of the material causing the wheel to climb out or kick out. The wheel may either jump toward or away from the operator, depending on direction of the wheel's movement at the point of pinching. Abrasive wheels may also break under these conditions.

Kickback is the result of power tool misuse and/or incorrect operating procedures or conditions and can be avoided by taking proper precautions as given below.

- a. Maintain a firm grip on the power tool and position your body and arm to allow you to resist kickback forces. Always use auxiliary handle, if provided, for maximum control over kickback or torque reaction during start-up. The operator can control torque reactions or kickback forces, if proper precautions are taken.
- b. Use special care when working corners, sharp edges, etc. Avoid bouncing and snagging the accessory. Corners, sharp edges or bouncing have a tendency to snag the rotating accessory and cause loss of control or kickback.
- c. Do not attach a saw chain woodcarving blade or toothed saw blade. Such blades create frequent kickback and loss of control.
- d. Always feed the bit into the material in the same direction

as the cutting edge is exiting from the material (which is the same direction as the chips are thrown). Feeding the tool in the wrong direction causes the cutting edge of the bit to climb out of the work and pull the tool in the direction of this feed.

- e. When using steel saws, cut-off wheels, high-speed cutters or tungsten carbide cutters, always have the work securely clamped. These wheels will grab if they become slightly canted in the groove, and can kickback. When a cut-off wheel grabs, the wheel itself usually breaks. When the steel saw, high-speed cutters or tungsten carbide cutter grab, it may jump from the groove and you could lose control of the tool.

#### **Safety warnings specific for grinding**

- a. Use only wheel types that are recommended for your power tool and only for recommended applications. For example: do not grind with the side of a cut-off wheel. Abrasive cut-off wheels are intended for peripheral grinding, side forces applied to these wheels may cause them to shatter.
- b. For threaded abrasive cones and plugs use only undamaged wheel mandrels with an unrelieved shoulder flange that are of correct size and length. Proper mandrels will reduce the possibility of breakage.
- c. Do not position your hand in line with and behind the rotating wheel. When the wheel, at the point of operation, is moving away from your hand, the possible kickback may propel the spinning wheel and the power tool directly at you.
- d. Support panels or any oversized workpiece to minimize the risk of wheel pinching and kickback. Large workpieces tend to sag under their own weight. Supports must be placed under the workpiece near the line of cut and near the edge of the workpiece on both sides of the wheel.
- e. Use extra caution when making a "pocket cut" into existing walls or other blind areas. The protruding wheel may cut gas or water pipes, electrical wiring or objects that can cause kickback.

#### **ADDITIONAL SAFETY AND WORKING INSTRUCTIONS**

Always wear goggles when using the machine. It is recommended to wear gloves, sturdy non-slipping shoes and apron.

After switching off, the machine will not be idle immediately. (After-running of the work spindle.) Allow the machine to come to a stop before putting down.

Never reach into the danger area of the machine when it is running.

Only use tools whose permitted speed is at least as high as the highest no-load speed of the machine.

Check grinding tools before use. The grinding tool must be properly mounted and turn freely. Perform a test run for at least 30 seconds without load. Do not use damaged, out of round or vibrating grinding tools.

When grinding metal, flying sparks are produced. Take care that no persons are endangered. Because of the danger of fire, no combustible materials should be located in the vicinity (spark flight zone). Do not use dust extraction.

Due care should be taken that no sparks or sanding dust flying from the workpiece come into contact with you.

The adjusting nut must be tightened before starting to work with the machine.

Under the effect of extreme electromagnetic interferences from the outside, temporary variations in the speed of rotation could arise in particular cases.

Always use and store the grinding disks according to the

manufacturer's instructions.

The workpiece must be fixed if it is not heavy enough to be steady. Never move the workpiece towards the rotating disk by hand.

The size of the grinding tool must be suitable for the tool.

For dusty operations, the machine's ventilation slits must be kept clear. If necessary, switch off the power to the machine and remove the dust. Use a non-metallic object for this, taking care not to damage any of the inner parts.

Battery acid may leak from damaged batteries under extreme load or extreme temperatures. In case of contact with battery acid wash it off immediately with soap and water. In case of eye contact rinse thoroughly for at least 10 minutes and immediately seek medical attention.

Do not dispose of used battery packs in the household refuse or by burning them. Milwaukee Distributors offer to retrieve old batteries to protect our environment.

Do not store the battery pack together with metal objects (short circuit risk).

Use only System M18 chargers for charging System M18 battery packs. Do not use battery packs from other systems.

No metal parts must be allowed to enter the battery section of the charger (short circuit risk).

Never break open battery packs and chargers and store only in dry rooms. Keep dry at all times.

Remove the battery pack before starting any work on the machine.

Make sure that the grinding tool is installed in accordance with the manufacturer's instructions.

#### **SPECIFIED CONDITIONS OF USE**

This tool may be used for grinding wood, metal, plastic, or similar materials, especially in hard accessible corners and places.

Do not use this product in any other way as stated for normal use.

Please refer to the instructions supplied by the accessory manufacturer.

The machine is suitable only for working without water.

#### **BATTERIES**

Battery packs which have not been used for some time should be recharged before use.

Temperatures in excess of 50°C (122°F) reduce the performance of the battery pack. Avoid extended exposure to heat or sunshine (risk of overheating).

The contacts of chargers and battery packs must be kept clean.

For an optimum life-time, the battery packs have to be fully charged, after used.

To obtain the longest possible battery life remove the battery pack from the charger once it is fully charged.

For battery pack storage longer than 30 days:

Store the battery pack where the temperature is below 27°C and away from moisture

Store the battery packs in a 30% - 50% charged condition

Every six months of storage, charge the pack as normal.

#### **BATTERY PACK PROTECTION**

In extremely high torque, binding, stalling and short circuit situations that cause high current draw, the tool will stop for about 2 seconds and then the tool will turn OFF.

To reset, release the trigger.



Under extreme circumstances, the internal temperature of the battery could become too high. If this happens, the battery will shut down.

### TRANSPORTING LITHIUM BATTERIES

Lithium-ion batteries are subject to the Dangerous Goods Legislation requirements.

Transportation of those batteries has to be done in accordance with local, national and international provisions and regulations.

- The user can transport the batteries by road without further requirements.
- Commercial transport of Lithium-Ion batteries by third parties is subject to Dangerous Goods regulations. Transport preparation and transport are exclusively to be carried out by appropriately trained persons and the process has to be accompanied by corresponding experts.

When transporting batteries:

- Ensure that battery contact terminals are protected and insulated to prevent short circuit.
- Ensure that battery pack is secured against movement within packaging.
- Do not transport batteries that are cracked or leak.

Check with forwarding company for further advice

### MAINTENANCE

The ventilation slots of the machine must be kept clear at all times. Do not let any metal parts reach the airing slots -- danger of short circuit!

Use only Milwaukee accessories and spare parts. Should components need to be replaced which have not been described, please contact one of our Milwaukee service agents.

If needed, an exploded view of the tool can be ordered. Please state the serial no. as well as the machine type printed on the label and order the drawing at your local service agents.

### SYMBOLS



CAUTION! WARNING! DANGER!



Remove the battery pack before starting any work on the machine.



Please read the instructions carefully before starting the machine.



Always wear goggles when using the machine.



Wear gloves!



Do not use force.



Do not dispose of electric tools together with household waste material.

Electric tools and electronic equipment that have reached the end of their life must be collected separately and returned to an environmentally compatible recycling facility. Check with your local authority or retailer for recycling advice and collection point.

電池電壓	12 V
額定轉速	5000-37000 min <sup>-1</sup>
夾頭直徑	0.8 / 1.6 / 2.4 / 3.2 mm
最大的磨料磨削體直徑	
陶瓷或橡膠粘結的磨料產品	25 mm
樹脂粘結的磨料產品	25 mm
根據EPTA-Procedure 01/2003的重量	0.62 kg

## 噪音/震動資訊

依 EN 60745 所測的測量值

一般來說，本工具的A加權噪音標準為：

聲壓量測 (K = 3 dB (A)) 73 dB (A)

聲壓率級 (K = 3 dB (A)) 84 dB (A)

佩戴耳罩。

依EN 60745所測的振動總值 (三軸向量總和)

震動釋放值 $a_n$	
鑽入金屬	2.4 m/s <sup>2</sup>
不確定性 K	1.5 m/s <sup>2</sup>
砂磨	2.6 m/s <sup>2</sup>
不確定性 K	1.5 m/s <sup>2</sup>
金屬研磨	3.1 m/s <sup>2</sup>
不確定性 K	1.5 m/s <sup>2</sup>
磨石	1.8 m/s <sup>2</sup>
不確定性 K	1.5 m/s <sup>2</sup>
金屬切割	3.4 m/s <sup>2</sup>
不確定性 K	1.5 m/s <sup>2</sup>

 警告！

本說明書所提供的震動等級是依EN 60745 規定的標準化測試所測得，且可能用於與另一個工具進行比較。該等級可用來初步評估風險。

宣告的震動釋放等級代表的是本工具的主要應用。然而，如果用於不同的應用、使用不同的配件或保養不當，震動釋放也可能不同。這可能會在總工作時間上顯著增加風險等級。

評估震動暴露的等級還應考慮本工具關機時的時間，或當工具運轉但卻未實際使用的時間。這可能會明顯降低總工作期間的風險等級。

請確認額外的安全措施，以保護操作員不受震動的影響，例如：保養本工具與配件、保持手部溫暖和井然有序的工作方式。

## 警告！閱讀所有安全警告和說明。

若不按照警告和說明操作，則可能會導致電擊、火災和/或嚴重傷害。  
將所有警告和說明保存好，方便以後查閱。

### 安全指示

#### 打磨作業的一般安全警告

- 本電動工具是用來作為打磨機。請詳閱附帶的所有安全警告、指示、圖示與規格。違反下列使用說明可能導致電擊、火災和/或嚴重損傷。
- 本電動工具不建議用於類似刷絲、切斷、砂光及拋光的作業。不符合工具設計目的作業可能引發危機與個人傷害。
- 不得使用非工具製造商推薦與設計的配件。可安裝上的配件不代表能安全地完成作業。
- 配件的空載轉速不得超過電動工具標示的最高速度。超過其空載轉速的配件有損壞與脫離的可能。
- 配件的外圍尺寸與厚度不得超過電動工具的額定載量。尺寸不符的配件會影響防護或控制的妥善。
- 輪子、砂輪鼓或任何配件的軸桿尺寸都必須符合電動工具的主軸和夾頭。與電動工具的安裝硬件不配合的配件，將失去平衡及過度震動，並可能導致失控。
- 安裝芯軸中的輪子、砂輪鼓、切割器或其他配件必須完全插入到夾頭或卡盤中。「懸垂部分」或芯軸從輪到夾頭的長度必須最小。如果芯軸未充分抓住和/或輪的懸垂部分太長，則安裝的輪可能變得鬆動，並以高速排出。
- 不得使用破損配件。作業開始前，查看研磨砂輪是否有缺角和裂痕，墊板是否龜裂、撕裂或過度耗損，鋼絲刷的鋼絲是否脫落或破裂。若不慎掉落電動工具或配件，檢查確定是否損壞，或換裝完好的配件。檢查完配件並裝上後，確定自己與旁觀者是位於配件旋轉平面外，開啟電動工具，讓其以無附載的最高速度運轉一分鐘。這個測試有助損壞配件自然掉落。
- 穿戴個人護具。依作業內容，使用面罩、安全護鏡或安全玻璃罩。若適用，穿戴防塵口罩、防護耳罩、手套與可隔離研磨碎屑或工件碎片的工作圍裙。眼部護具必須能阻擋不同作業中可能激飛的碎屑。防塵口罩或呼吸裝置必須能濾掉作業產生的微粒。暴露於高度噪音過久可能導致聽力喪失。
- 維持旁人在工作區外的安全距離。進入工作區必須穿戴個人護具。工件碎片或破損配件可能激飛，在作業進行的附近造成傷害。
- 進行作業時，若配件有接觸到隱藏線路或自身電線的可能，確定握住電動工具的絕緣表面。切割配件接觸火線可能會導致電動工具裸露的金屬部分帶電，可能會導致操作人員觸電。
- 在啟動期間，將工具穩固地握在手中。當電機加速到全速時，電機的反作用轉矩可能導致工具扭曲。
- 在可行的情況下，使用夾具支撐工件。當使用時，切勿以一隻手握細小的工件，同時另一隻手握工具。使用夾具夾緊細小的工件，便能以雙手操控工具。在切割時，圓形材料如定位桿、管道或管道可能會滾動，並且可能導致鑽頭結合或跳向您。
- 放下電動工具時要確定配件已完全停止運轉。轉動中的配件可能咬住放置面，拉扯電動工具導致失控。
- 更換鑽頭或進行任何調整後，請確保夾頭螺母、夾頭或所有經調整的已牢固地擰緊。鬆動的調節裝置可能意外地移動，造成失控，鬆動的旋轉部件將被猛烈地拋出。
- 不得啟動拿在身體一側的電動工具。意外觸碰可能導致衣物與轉動配件糾纏，拉扯傷及身體。
- 定期清潔電動工具的通風口。電機的风扇會將灰塵吸入外殼內，過多的金屬粉末可能導致觸電危機。
- 切勿在靠近易燃物品之處使用電動工具，避免激起的火光引燃物品。

- 不得使用需要液體冷卻劑的配件。水或液體冷卻劑可能導致觸電死亡或電擊。

#### 反彈與相關警示

反彈是轉輪、墊板、剛刷或其他配件因受緊壓或阻礙而起的瞬間反應。緊壓或阻礙會使得配件運轉滯礙，連帶造成失控的電動工具在受阻點被推往施力的相反方向。

舉例來說，如果研磨砂輪被工件卡住或夾住，輪邊可能會切入受阻點導致砂輪彈升或反彈，砂輪會依受阻時的動作朝著操作者方向彈去或反向彈開，也有可能因此破損。

反彈是電動工具使用不當和/或操作程序或情況錯誤，可透過以下預防措施避免。

- 確實握牢電動工具，確定身體與手臂的姿勢足以抵擋反彈力。若有提供，務必使用輔助把手，以完全掌握啟動時的反彈或扭轉反應。藉著適當的預防措施，操作者能有效控制扭轉或反彈力。
- 進行邊角或銳角作業時要特別謹慎。避免配件彈跳與受阻。邊角、銳角或彈跳容易阻礙旋轉的配件，造成工具失控或反彈。
- 不得安裝鋸齒雕刻木刀或鋸齒刀鋒。這類刀鋒容易造成頻繁反彈和失控。
- 經常以切削刃從物料脫離相同的方向（與切屑拋射的相同方向），將鑽頭插入物料中。以錯誤的方向插入工具會導致鑽頭的切削刃走出工件，並沿插入的方向拉動工具。
- 當使用鋼鑽、切割輪、高速切割機或碳化鎢切割機時，必須將工件牢固夾緊。如果輪在開槽中稍微傾斜，它們將會抓住及可以回彈。當切割輪抓住時，輪可能已經有損壞。當鋼鑽、高速刀具或碳化鎢刀具抓住時，可能從開槽中跳出，並可能失去對刀具的控制。

#### 磨削和研磨切斷作業的安全警告：

- 僅使用推薦用於電動工具及用途的輪子類型。例如：不要使用切割輪的側面磨削。磨料切割輪用於外周磨削，對它們施加外力，可能導致它們破碎。
- 對於螺紋磨料圓錐和插座，只能使用未損壞砂輪芯軸，並且帶有正確尺寸及長度的法蘭。適當的芯軸將減少斷裂的可能性。
- 切勿將手放在旋轉輪附近或後面。當車輪在操作點處離開手時，可能造成反彈，並且有機會直接對著您推動旋轉車輪和電動工具。
- 支撐面板或任何超大工件，以將被車輪夾傷和回彈的風險減至最小。大型工件傾向於在其自身重量下垂。支撐件必須放置在接近切割線的工件下，並且靠近兩側的工作邊緣。
- 對現有牆壁或其他隱蔽的區域進行小區域切割時應特別小心。突出的輪子可能會切割燃氣管、水管、電線或可能導致回彈的物體。

### 其他安全和工作說明

使用本產品時務必佩戴護目鏡。建議戴手套、堅固防滑的鞋具和圍裙。

關閉後，機器將不會立即空轉。（工作主軸後運行。）放下機器前，請先讓它停下來。

請跟運轉中的機器保持安全距離。

只使用工具，其認可速度至少高達機器的最高無負載轉速。

使用前，請檢查磨具。在無負載的情況下，至少執行30秒的測試運行。不要使用損壞的、失圓的或震動的磨削工具。

磨削金屬時會有火屑飛濺的情況。小心不要危及他人。為避免引起火災，避免將易燃物品置於週邊（火屑飛濺可及的範圍）。不可使用吸塵裝置。

謹慎避免接觸自工件上激起的火屑或粉塵。

使用工具作業前，務必控緊調整螺帽。

在來自外部的極端電磁干擾的影響下，在特定情況下，旋轉速度可能

出現的短暫變化。

遵照製造商的說明來使用和儲存磨削片。

若工件本身重量不足以保持穩定，務必將其固定。切勿以手向旋轉盤移動工作。

研磨工具的尺寸必須適合研磨機。

在多塵環境下操作，機器的通風狹縫必須保持清潔。如有必要，關掉機器的電源，並清除灰塵。使用非金屬物體時，注意不要損壞任何內部零件。

在極端負載或極端溫度下，損壞的電池可能漏出內部酸液。若☒觸到電池酸液，請即刻用肥皂與清水洗去。若酸液接觸到眼睛，以清水沖洗至少10分鐘後立即就醫。

勿將用過的電池組與家庭廢棄物混合或燃燒電池。Milwaukee經銷商提供舊電池回收，以保護我們的環境。

勿將電池匣與其他金屬物品一起存放（可能引起短路）。

僅可使用M18系統充電器對M18系統電池進行充電。

切勿讓金屬部份接觸充電器的電池部份（有短路危機）。

不可拆開電池和充電器。電池和充電器必須儲藏在乾燥的空間，勿讓濕氣滲入。

在機器上做任何調整前，請先取出電池。

確保按照製造商的說明安裝磨削工具。

### 特定使用條件

本產品可用於磨削木材、金屬、塑料或類似材料，特別是在硬而可接近的角落和地方。

請勿以非正常使用的任何其他方式使用本產品。

如有任何疑問，請洽詢提供本操作指示的配件製造商。

本產品僅適用於乾燥工作。

### 電池

久未使用的電池必須重新充電後再使用。

超過 50°C (122°F) 的高溫會降低電池的效能。避免暴露於高溫或陽光下(可能導致過熱)。

充電器和電池組的接點處應保持清潔。

為確保最佳電池使用壽命，電池組使用後，應再完全充電。

為確保電池的最長壽命，充電完成後，勿將電池匣繼續留在充電器上。

電池存放超過30天：

將電池組存放於溫度低於27°C的環境，且避免受潮。

將電池組保持在充電量30%-50%的狀態。

存放中的電池組應每六個月照常充電一次。

### 電池過載保護

在極高的☒矩、約束、失速和短路情況下，導致大電流消耗，工具將停止約2秒鐘，然後工具將關閉。

如要重置，鬆開☒機。

在極端情況下，電池組內部的溫度可能過度提升。如果發生這種情況，電池不會提供電力。

### 運輸☒電池

☒離子電池須受制於危險品法例的要求。

運送☒電池必須在符合當地、國家及國際標準及法例的情況下進行。

使用者可於陸地上運送電池而毋須受限。

第三方負責的商業式鋰電池運送須受制於危險品法例。

運送的預備及過程必須由受嚴格訓練的人士進行，亦必須得到專家

在場監管。

運送電池時：

請確保電池接觸終端受到嚴密保護及經過絕緣，防止短路。

請確保電池組妥善包裝，防止碰撞磨削。

切勿運送有裂痕或洩漏中的電池。

與速遞公司緊密聯繫以獲得進一步資訊。

### 維護

本產品的通風孔必須時刻保持暢通。

不要讓任何金屬部件到達通風槽 - 有短路危險！

只能使用 Milwaukee 配件和備件。如果需要更換的組件在此沒有介紹，請與其中一個 Milwaukee 服務代理機構聯繫。

如果需要機器的分解圖，可向☒的顧客服務中心☒詢。索件時，請☒當地的向顧客服務中心提供以下資料：機器銘牌上的產品號碼及機型。

### 符號



注意！警告！危險！



在機器上做任何調整前，請先取出電池。



☒動機器前，請仔細閱讀本說明。



使用本產品時務必佩戴護目鏡。



佩戴手套。



不要用力。



不要將電動工具與家庭☒☒材料一起處置。當電動工具和電動設備達到使用壽命時，必須單獨收集，並送至環保回收機構。請與當地相關部門或經銷商聯繫，了解回收建議和收集地點。

电池电压	12 V
额定转速	5000-37000 min <sup>-1</sup>
夹头直径	0.8 / 1.6 / 2.4 / 3.2 mm
最大的磨料磨削体直径	
陶瓷或橡胶粘结的磨料产品	25 mm
树脂粘结的磨料产品	25 mm
重量符合EPTA-Procedure01 / 2003	0.62 kg

噪音/振荡信息

本测量值符合 EN 60 745 条文的規定。

器械的标准A-值噪音级为:

音压值 (K=3dB(A))	73 dB (A)
音量值 (K=3dB(A))	84 dB (A)

冲击钻孔时, 戴好耳罩。

依欧盟EN 60745 标准确定的振动总值(三方向矢量和)。

振荡值a <sub>h</sub>	
钻入金属	2.4 m/s <sup>2</sup>
不确定性 K	1.5 m/s <sup>2</sup>
砂磨	2.6 m/s <sup>2</sup>
不确定性 K	1.5 m/s <sup>2</sup>
金属研磨	3.1 m/s <sup>2</sup>
不确定性 K	1.5 m/s <sup>2</sup>
磨石	1.8 m/s <sup>2</sup>
不确定性 K	1.5 m/s <sup>2</sup>
金属切割	3.4 m/s <sup>2</sup>
不确定性 K	1.5 m/s <sup>2</sup>



警告!

本说明书所提供的震动等级是依EN 60745 规定的标准化测试所测得, 且可能用于与另一个工具进行比较。该等级可用来初步评估风险。

宣告的震动释放等级代表的是本工具的主要应用。然而, 如果用于不同的应用、使用不同的配件或保养不当, 震动释放也可能不同。这可能会在总工作时间内显著增加风险等级。

评估震动暴露的等级还应考虑本工具关机时的时间, 或当工具运转但却未实际使用的时间。这可能会明显降低总工作期间的风险等级。

请确认额外的安全措施, 以保护操作员不受震动的影响, 例如: 保养本工具与配件、保持手部温暖和井然有序的工作方式。

## 警告！阅读所有安全警告和说明。

不遵照以下警告和说明会导致电击、着火和/或严重伤害。

保存所有警告和说明书以备查阅。

### 安全指示

砂磨、钢丝砂光或砂磨切割操作的通用安全警告：

- a. 该电动工具是用于实现砂轮机、钢丝刷和切断工具功能的。阅读随该工具提供的所有安全警告、说明、图解和规定。不了解以下所列所有说明将导致电击、着火和/或严重伤害。
- b. 本电动工具不建议用于类似刷漆、切断、砂光及抛光的作业。电动工具不按指定的功能去操作，可能会发生危险和引起人身伤害。
- c. 不使用非工具制造商推荐和专门设计的附件。否则该附件可能被装到你的电动工具上，而它不能保证安全操作。
- d. 附件的额定转速必须至少等于电动工具上标出的最大速度。附件以比其额定转速大的速度运转会发生爆裂和飞溅。
- e. 附件的外径和厚度必须在电动工具额定能力范围之内。不正确的附件尺寸不能得到充分防护或控制。
- f. 轮子、砂轮鼓或任何附件的轴杆尺寸都必须符合充电工具的主轴和夹头。与充电工具的安装硬件不配合的附件，将失去平衡及过度振荡，并可能导致失控。
- g. 安装心棒中的轮子、砂轮鼓、切割器或其他附件必须完全插入到夹头或卡盘中。「悬垂部分」或心棒从轮到夹头的长度必须最小。如果心棒未充分抓住和/或轮的悬垂部分太长，则安装的轮可能变得松动，并以高速弹出。
- h. 不可以使用损坏的工具。在每次使用前要检查附件，例如砂轮是否有碎片和裂缝，靠背垫是否有裂缝、撕裂或过渡磨损，钢丝刷是否松动或金属丝是否断裂。如果电动工具或附件跌落，检查是否有损坏或安装没有损坏的附件。检查和安装附件后，让自己和旁观者的位置远离旋转附件的平面，并以电动工具最大空载速度运行1分钟。损坏的附件通常在该试验时会碎裂。
- i. 戴上防护用品。根据适用情况，使用面罩、安全护目镜或安全眼镜。适用时，戴上防尘面具、听力保护器、手套和能档小磨料或工件碎片的工作围裙。眼防护罩必须挡住各种操作产生的飞屑。长期暴露在高强度噪声中会引起失聪。
- j. 让旁观者与工作区域保持一安全距离。任何进入工作区域的人必须戴上防护用品。工件或破损附件的碎片可能会飞出，并引起紧靠着操作区域的旁观者的伤害。
- k. 当作业时紧固件可能接触隐藏的接线或自己的电线时，只能握住电动工具的绝缘抓握。切割附件接触火线可能会导致电动工具裸露的金属部分带电，可能会导致操作人员触电。
- l. 在启动期间，将工具稳固地握在手中。当电机加速到全速时，电机的反作用转矩可能导致工具扭曲。
- m. 在可行的情况下，使用夹具支撑工件。当使用时，切勿在一只手中握住小工件，而在另一只手握紧工具。使用夹具夹紧细小的工件，致使以双手控制工具。在切割时，圆形材料如定位杆、管道或管道具有滚动的倾向，并且可能导致钻头结合或跳向您。
- n. 直到附件完全停止运动才放下电动工具。旋转的附件可能会抓住表面并拉动电动工具而让你失去对工具的控制。
- o. 更换钻头或进行任何调整后，请确保夹头螺母，卡盘或任何其他调整装置已牢固拧紧。松动的调节装置可能意外地移动，造成失控，松动的旋转部件将被猛烈地抛出。
- p. 当携带电动工具时不要开动它。意外的触及旋转附件可能会导致你的衣服而使附件伤害身体。
- q. 定期清洁充电工具的通风口。电机的风扇会将灰尘吸入外壳内，过多的粉末金属会导致触电危险。
- r. 不要在易燃材料附近操作电动工具。火花可能会点燃这些

材料。

- s. 不要使用需用冷却液的附件。用水或其他冷却液可能会导致电腐蚀或电击。

反弹和相关警告：

反弹是因为卡住或缠绕住的旋转砂轮、靠背垫、钢丝刷或其他附件而产生的突然反作用力。卡住或缠绕会引起旋转附件的迅速堵转，随之使失控的电动工具在卡住点产生与附件旋转方向相反的运动。

例如，如果砂轮被工件缠绕住或卡住，伸入卡住点的砂轮边缘可能会进入材料表面而引起砂轮爬出或反弹。砂轮可能飞向或飞离操作者，这取决于砂轮在卡住点的运动方向。在此条件下砂轮也可能碎裂。

反弹是电动工具误用和/或不正确操作工序或条件的结果，可以通过采取以下给出的适当预防措施得以避免。

- a. 保持紧握电动工具，使你的身体和手臂处于正确状态以抵抗反压力。如有辅助手柄，则要一直使用，以便最大限度控制住起动时的反弹力或反力矩。如采取合适的预防措施，操作者就可以控制反力矩或反力力。
- b. 当在尖角、锐边等处作业时要特别小心。避免附件的弹跳和缠绕。尖角、锐边和弹跳具有缠绕旋转附件的趋势并引起反弹的失控。
- c. 不要安装上锯链、木雕刀片或带齿锯片。这些锯片会产生频繁的反弹和失控。
- d. 始终以与切削刃从材料（与切屑抛射的相同方向）相同的方向，将钻头进给到材料中。以错误的方向插入工具会导致钻头的切削刃爬出工件，并沿插入方向拉动工具。
- e. 当使用钢锯，切割割轮，高速切割器或碳化钨切割器时，务必将工件牢固夹紧。如果这些轮在凹槽中轻微倾斜，它们将抓住，并且可以回弹。当切割器抓住时，轮可能已有损坏。当钢锯、高速刀具或碳化钨刀具抓住时，它可能从凹槽中跳出，并可能失去对刀具的控制。

对磨削和砂磨切割操作的专用安全警告：

- a. 仅使用推荐用于充电工具及应用的轮子类型。例如：不要使用切割轮的侧面磨削。磨料切割轮用于外周磨削，对它们施加侧向力，可能导致它们破碎。
- b. 对于螺旋磨料圆锥和螺塞，只能使用未损坏的砂轮心轴，并具有正确尺寸和长度的凸缘。适当的心轴将减少断裂的可能性。
- c. 不要将手放在旋转轮的附近或后面。当把砂轮从操作者身边的操作点移开时，可能的反弹会使旋转砂轮和电动工具朝你推来。
- d. 支撑住板材或超大工件可使得砂轮卡住和反弹的危险降到最低限度。大工件凭借自重而下垂。必须在工件靠近切割线处和砂轮两侧近工件边缘处放置支撑。
- e. 对现有墙壁或其他盲区进行小区域切割时应特别小心。突出的轮子可能会切割煤气管道、水管、电线或可能导致反弹的物体。

### 其他安全和工作说明

使用本产品时务必佩戴护目镜。建议戴手套、结实的防滑鞋和围裙。

关闭后，机器将不会立即空闲。（工作主轴后运行。）放下机器前，请先让它停下来。

请和运转中的机器保持安全距离。

只使用工具，其认可速度至少高达机器的最高无负载转速。

使用前，请检查磨具。磨削工具必须正确安装，并自由转动。在无负载的情况下，至少执行30秒的测试运行。不要使用损坏的，不圆的或振荡的研磨工具。

研磨金属时会产生火花。勿让喷溅的火花伤害旁观者。为了预防火灾，工作范围内（火花的喷溅范围内）不可堆放易燃物品。不可以使用吸尘装置。

握持机器时请注意，勿让火花或研磨屑喷到身上。

使用机器之前必须先收紧法兰螺母。

在来自外部的极端电磁干扰的影响下，在特定情况下可能出现旋转速

度的暂时变化。

根据磨盘制造商提供的指示操作、储藏磨盘。

如果工件无法靠本身的重量站稳，则必须使用固定装置夹紧工件。割锯时切勿用手握持工件。

研磨工具的尺寸必须适合研磨机。

在多尘情况下操作，机器的通风狭缝必须保持清洁。如有必要，关闭机器的电源，并清除灰尘。使用非金属物体时，注意不要损坏任何内部零件。

在过度超荷或极端的温度下，可能从损坏的电池组中流出液体。如果触摸了此液体，必须马上使用肥皂和大量清水冲洗。如果此类液体侵入眼睛，马上用清水彻底清洗眼睛（至少冲洗 10分钟），接着即就医治疗。

用过的电池组不可以丢入火中或一般的家庭垃圾中。Milwaukee经销商提供旧电池回收，以保护我们的环境。

电池不可以和金属物体存放在一起（可能产生短路）。

M18 系列的电池组只能和 M18 系列的充电器配合使用。

不可以使用本充电器为其它系列的电池充电。

切勿让金属部分接触充电器的电池部份（有短路危机）。

不可拆开电池和充电器。电池和充电器必须储藏在干燥的空间，勿让湿气渗入。必须经常保持干燥。

在机器上进行任何修护工作之前，先拿出电池。

确保磨削工具按照制造商的说明进行安装。

### 特定使用条件

本产品可用于磨削木材、金属、塑胶或类似材料，特别是在硬而可接近的角落和地方。

切勿将本产品用于正常使用之外的其他用途。

有疑问时，请留意于附件制造者的注意事项。

本产品仅适用于干燥工作。

### 电池

长期储放的电池，必须先充电再使用。

超过50° C (122° F) 的高温会降低电池组的效能。避免暴露于高温或阳光下（可能导致过热）。

充电器和电池组的接点处应保持清洁。

为获得最长寿命，使用后应把电池充满电。

为确保最长使用寿命，充电后应把电池从充电器取出。

电池储存时间长于30日：

在环境温度27° C左右干燥处储存电池。

在百分之30至50充电状态储存电池组。

每6个月重新充电。

### 电池超载保护 / 锂电池

在极高的扭矩，约束，失速和短路情况下，导致大电流消耗，工具将停止约2秒钟，然后工具将关闭。

如要重置，松开扳机。

在极端情况下，电池组内部的温度可能过度提升。如果发生这种情况，电池不会提供电力。

### 锂电池的运输

锂电池属于危险货品并受制于危险货品运输条例。

此电池的运输必须遵守地方、国家和国际法律规定。

- 用户在公路上运输此电池组不必遵守特殊规定。
- 锂电池的商业性运输受制于危险货品运输条例的规定。运输准备和运输必须由受过合适培训人员进行。全部过程必须由合格专业人员

监督。

运输电池时必须注意到下列事项：

- 为避免短路，必须确保电池接点的防护和绝缘。
- 确保包装中的电池包不会滑动。
- 严禁运输损坏或泄漏电池。

进一步建议请联系运输商。

### 维护

本产品的通风孔必须时刻保持畅通。

不要让任何金属部件到达通风槽 - 有短路危险！

只能使用 Milwaukee 附件和备件。如果需要更换的组件在此没有介绍，请与其中一个Milwaukee 服务代理机构联系（参见我们的保修/服务地址列表）。

如果需要机器的分解图，可以向您的顾客服务中心。索件时，必须向您的顾客服务中心提供以下资料：铭牌上机器的号码和机型。

### 符号



注意！警告！危险！



在机器上进行任何修护工作之前，先拿出电池。



启动机器前，请仔细阅读本说明。



使用本产品时务必佩戴护目镜。



佩戴手套。



不要用力。



不要将电动工具与家庭垃圾材料一起处置。当电动工具和电动设备达到使用寿命时，必须单独收集，并送至环保回收机构。请与当地主管部门或经销商联系，了解回收建议和收集地点。

배터리 전압	12 V
정격 속도	5000-37000 min <sup>-1</sup>
콜렛 직경	0.8 / 1.6 / 2.4 / 3.2 mm
연마 연삭 제품의 직경, 최대	
세라믹 또는 고무 처리된 연마 제품	25 mm
합성수지 처리된 연마 제품	25 mm
EPTA 규정 01/2003에 따른 중량	0.62 kg

소음/진동 정보

EN 60745에 따라 판별한 측정 값.

일반적인 톨의 A-가중 소음 레벨:

음압 레벨(불확정 K=3dB(A)) 73 dB (A)

음향 파워 레벨(불확정 K=3dB(A)) 84 dB (A)

귀마개를 착용하십시오!

EN 60745에 따라 판별한 전체 진동 값(3개 축의 벡터 합계).

진동 방출 값 a

금속 재질 천공 2.4 m/s<sup>2</sup>

불확정성 K= 1.5 m/s<sup>2</sup>

사포질 2.6 m/s<sup>2</sup>

불확정성 K= 1.5 m/s<sup>2</sup>

금속 연삭 3.1 m/s<sup>2</sup>

불확정성 K= 1.5 m/s<sup>2</sup>

석조 연삭 1.8 m/s<sup>2</sup>

불확정성 K= 1.5 m/s<sup>2</sup>

금속 절단 3.4 m/s<sup>2</sup>

불확정성 K= 1.5 m/s<sup>2</sup>



**경고!**

본 정보 시트에 제공되어 있는 진동 배출 레벨은 EN 60745에 제공된 표준 시험 절차에 따라 측정되었으며 이를 사용하여 제품을 서로 비교할 수 있습니다. 예비 노출 평가에 이를 사용할 수도 있습니다.

제시된 진동 배출 레벨은 제품에 가해진 주요 진동을 나타냅니다. 하지만 다른 부속품이 있거나 적절히 유지 관리되지 않은 다른 응용 기기에 제품을 사용할 경우, 진동 배출이 다를 수 있습니다. 이는 전체 작동 시간 동안 노출 레벨을 상당히 증가시킬 수 있습니다.

진동 노출 레벨을 예측할 때 톨 스위치를 차단하거나 구동 중지지만 실제 작업을 수행하지 않은 횟수도 고려해야 합니다. 이는 전체 작동 시간 동안 노출 레벨을 상당히 감소시킬 수 있습니다.

추가적인 안전 조치를 파악하여 제품 및 부속품을 유지 관리, 손을 따뜻하게 유지 및 작업 패턴 구성 등 진동 효과로부터 작업자를 보호하십시오.





경고! 안전 경고 문구와 설명서를 모두 읽어보십시오.

경고 문구와 설명서를 준수하지 않으면 감전, 화재 및/또는 심각한 부상이 초래될 수 있습니다.

항후 참조할 수 있도록 경고 문구와 설명서를 잘 보관해 두십시오.

## 안전 설명서

### 연삭 안전 경고 일반 사항:

- a. 이 전동 공구는 연삭기로 사용하도록 설계되었습니다. 제품과 함께 제공된 안전 경고 문구, 설명서, 도해 및 사양을 모두 읽으십시오. 경고 문구와 설명서를 준수하지 않으면 감전, 화재 및/또는 심각한 부상이 초래될 수 있습니다.
- b. 쇠솔질, 절단, 사포질 및 기타 작업은 이 전동 공구를 사용하여 수행하지 않는 것이 좋습니다. 이 전동 공구에 적합하지 않은 작업을 수행할 경우 위험이 초래되고 인원 부상을 야기할 수 있습니다.
- c. 제조업체가 특별히 설계하고 권장하지 않은 부속품을 사용하지 마십시오. 부속품이 전동 공구에 부착되어 안전한 작업을 보장하지 않을 수 있습니다.
- d. 이 부속품의 정격 속도는 최소한 전동 공구에 표시된 최대 속도와 동일해야 합니다. 정격 속도가 빠르게 작동하는 부속품은 파손 및 산산 조각날 수 있습니다.
- e. 부속품의 외경과 두께는 전동 공구의 정격 용량 범위 내에 있어야 합니다. 부적절한 크기의 부속품은 적절히 보호 및 제어되지 않을 수 있습니다.
- f. 휠이나 사포드럼, 기타 부대용품의 축 크기는 이 전동 공구의 스피들이나 콜릿에 잘 맞아야 합니다. 전동 공구의 장착 하드웨어와 일치하지 않는 부속품은 균형을 잃게 되어 과도한 진동이 발생하고 제어하지 못할 수 있습니다.
- g. 심봉이 부착된 휠, 사포드럼, 절단기, 혹은 기타 부대용품은 콜릿이나 척에 완전히 삽입되어야 합니다. 휠에서 콜릿까지 돌출 부위나 심봉의 길이는 최소화되어야 합니다. 심봉의 부착 상태가 미흡하거나 휠의 돌출 부위가 지나치게 길다면 심봉이 부착된 휠이 헐거워질 수 있고 속도가 빨라지면 이탈될 수 있습니다.
- h. 손상된 부속품을 사용하지 마십시오. 개별적으로 사용하기 전에 연마 휠과 같은 부속품에 찍힘과 균열, 후면 패드에 균열, 마손 또는 과도한 마모가 없는지 그리고 와이어 브러시가 느슨하거나 균열이 있는 와이어가 없는지 검사하십시오. 전동 공구나 부속품을 떨어뜨린 경우, 손상이 없는지 검사하고 손상된 부속품은 폐기하십시오. 부속품을 검사하고 설치한 이후에 회전하는 부속품 면과 떨어져 위치하고 다른 사람이 가까이 오지 못하도록 한 상태에서 1분 동안 최대 무부하 속도로 전동 공구를 구동하십시오. 이 시험 기간 동안 일반적으로 손상된 부속품이 떨어져 나옵니다.
- i. 개인 보호 장구를 착용하십시오. 적용 방법에 따라 얼굴 차폐 장치, 안전 고글이나 보안경을 착용하십시오. 해당하는 경우, 먼지 마스크, 청력 보조 장치, 장갑 및 소형 연마 또는 작업면 파편을 방지할 수 있는 앞치마를 착용하십시오. 눈 보호 장치는 다양한 작업에 의해 생성된 날아가는 파편을 방지할 수 있어야 합니다. 먼지 마스크나 호흡기는 작업에 의해 생성된 입자를 여과할 수 있어야 합니다. 고밀도 잠금에 지속적으로 노출되면 청력 손실을 야기할 수 있습니다.
- j. 주변 사람들이 작업 구역에서 벗어나 안전 거리를 확보하도록 하십시오. 작업 구역을 출입하는 모든 개인은 개인 보호 장구를 반드시 착용해야 합니다. 작업면 또는 파손된 부속품 파편이 작업 구역 이상 날아가 부상을 야기할 수 있습니다.
- k. 절단용 부속품이 숨겨진 배선과 접촉할 수 있는 작업을 수행할 때에는 반드시 절연 처리된 손잡이 부분을 잡으십시오. 절단 부품이 "전기가 흐르는" 전선에 닿으면 전동 공구의 노출된 금속 부품에 "전기가 흘러" 작업자가 감전될 수 있습니다.

- l. 작동 중에는 손으로 공구를 단단히 잡기 바랍니다. 최대 속도로 가속화되는 경우 모터의 토크 반발력으로 인해 공구가 심하게 요동을 칠 수 있습니다.
- m. 실제 작업 시 작업편을 지지할 수 있는 조임쇠를 이용하기 바랍니다. 작업편이 작을지라도 양손에 각각 공구와 작업편을 들지 않아야 합니다. 작업편의 크기가 작을 경우 조임쇠를 이용하면 양손을 모두 공구를 자유롭게 사용하는데 사용할 수 있습니다. 장부속 봉, 파이프, 배관과 같은 둥근 재료는 절단 중에 구르는 경향이 있기 때문에 비트가 작업자 쪽으로 엉기거나 휨 움직일 수가 있습니다.
- n. 부속품이 완전히 정지한 이후에 전동 공구를 내려 놓으십시오. 회전하는 부속품이 지면과 닿아 전동 공구를 제어하지 못할 수 있습니다.
- o. 비트를 변경하거나 조정을 한 후에는 콜릿 너트, 척 또는 기타 모든 조정 장치가 단단히 조여져 있는지 확인하기 바랍니다. 풀린 조정 장치가 갑자기 바뀌면 제어력을 잃어 회전 부품이 풀려 날아갈 수 있습니다.
- p. 전동 공구를 운반하는 동안 구동하지 마십시오. 회전하는 부속품과 우발적으로 접촉할 경우 옷이 끼여 부속품 안으로 신체가 들어갈 수 있습니다.
- q. 전동 공구의 환기구를 정기적으로 청소하십시오. 모터 팬이 하우징 안으로 먼지를 끌어들이고 분말 금속이 과도하게 축적될 경우 전기 위험이 초래될 수 있습니다.
- r. 전동 공구를 인화성 물질 근처에서 조작하지 마십시오. 스파크로 인해 인화성 물질이 발화될 수 있습니다.
- s. 액체 냉각수가 필요한 부속품을 사용하지 마십시오. 물 또는 기타 액체 냉각수를 사용할 경우 감전사나 전기 쇼크가 초래될 수 있습니다.

### 킵백 및 관련 경고

킵백은 끼이거나 걸린 회전 휠, 후면 패드, 브러시 또는 기타 모든 부속품의 갑작스러운 반응입니다. 끼이거나 걸릴 경우 회전 부속품이 갑자기 정지되며, 이는 반대로 계속 지점에서 부속품의 회전 방향과 반대 방향으로 전동 공구를 제어하지 못하게 만듭니다.

예를 들어, 연마 휠이 작업면에 의해 걸리거나 끼일 경우, 걸리는 지점으로 유입되는 휠의 가장자리가 재료 표면을 향해 휘어 올라와 빠지거나 축출될 수 있습니다. 걸리는 지점의 휠 움직임 방향에 따라 휠이 위로 튀어 오르거나 작업 방향에서 벗어날 수 있습니다. 이 조건에서 연마 휠이 파손될 수도 있습니다.

킵백은 전동 공구의 방향 및/또는 부적절한 작동 절차 또는 조건의 결과이며 아래에 제공된 바와 같이 적절한 예방 조치를 취하여 방지할 수 있습니다.

- a. 전동 공구를 확실히 잡고 몸과 팔을 위치시키면 킵백 움직임에 갇힐 수 있습니다. 시동하는 동안 킵백 또는 토크 반응을 최대한 억제하려면 제공된 경우 항상 보조 손잡이를 활용하십시오. 작업자는 적절한 예방 조치를 취한 경우, 토크 반응 또는 킵백 움직임을 억제할 수 있습니다.
- b. 모서리, 날카로운 가장자리 등에서 작업할 때 세심한 주의를 기울이십시오. 부속품이 튀어 오르고 접히지 않도록 하십시오. 모서리, 날카로운 가장자리 또는 바운싱은 회전하는 부속품을 접하게 하는 경향이 있으며 제어 손실 또는 킵백을 야기할 수 있습니다.
- c. 톨날 체인 목각 블레이드나 톨날이 달린 톨날 블레이드를 부착하지 마십시오. 블레이드는 빈번한 킵백 및 제어 손실을 발생시킵니다.
- d. 재료의 절단면과 같은 방향으로 비트를 재료에 넣기 바랍니다.(파편이 튀는 방향과 같은 방향). 잘못된 방향으로 공구를 넣으면 비트의 절단면이 작업면 밖으로 나오기 때문에 공구를 넣는 방향과 같은 방향으로 당기기 바랍니다.
- e. 강철 톨이나 절삭 휠, 고속 절단기, 탄화물 원판 절단기를 사용할 때 항상 작업편을 단단히 고정하기 바랍니다. 이러한 휠들이 흠에 약간 비스듬히 놓일 경우 휠이 튀거나 반동이 생길 수 있습니다. 절삭 휠이 튕기면 일반적으로 휠 자체가 부서집니다. 강철 톨이나 절삭 휠, 고속 절단기, 탄화물 원판 절단기가 튕기면 흠에서 튀어오를 수 있으며

공구를 제어하기 어려워질 수 있습니다.

연삭 안전 경고 특별 사항:

- a. 여러분이 소지하고 있는 전동 공구에 적합하다고 권장되는 타입의 휠을 권장 용도에 맞게 사용하기 바랍니다. 예: 절삭 휠의 측면으로 연마 작업을 하지 마시기 바랍니다. 연마용 절삭 휠은 주변부 연삭을 하는 용도이며 휠의 측면에서 힘을 주면 부서질 수 있습니다.
- b. 나사산이 있는 연마용 콘과 플러그의 경우, 정확한 크기와 길이의 동일한 솔더 만조로 된 손상되지 않은 휠 심봉만 사용하기 바랍니다. 적합한 심봉은 파손이 될 가능성을 줄여줍니다.
- c. 회전하는 휠과 나란히, 혹은 뒤에 손을 놓지 마시기 바랍니다. 작업 위치에서 휠이 작업자의 손에서 멀어지는 경우 반동으로 인해 회전하는 휠과 전동 공구가 작업자에게 될 수 있습니다.
- d. 패널이나 지나치게 큰 사이즈의 작업편은 휠이 끼어 반동이 생길 위험을 최소화하기 위해 받침대로 지지하기 바랍니다. 크기가 큰 작업편은 무게로 인해 처질 수 있습니다. 지지대는 작업편 밑 앞면과 휠 양쪽의 작업편 가장자리에 가까이 놓아야 합니다.
- e. 기존 벽이나 기타 어두운 지역에서 '포켓 절단'을 할 때 특히 조심해야 합니다. 휠이 전진하면서 가스 배관이나 수도 배관, 전기 배선, 반동을 유발할 수 있는 물체를 절단할 수 있습니다.

추가적인 안전 및 작업 지침

제품을 사용할 때 항상 보안경을 착용하십시오. 장갑이나 미끄럼 방지 신발, 앞치마를 착용할 것을 권장합니다.

전원을 끄더라도 기계가 바로 가동을 멈추지 않습니다. (작업 스피들 작동 후) 기계를 내려놓기 전에 기계가 완전히 멈추도록 합니다.

구동 시 장비의 위험 구역으로 들어가지 마십시오.

공구를 사용할 때에는 허용 속도가 적어도 기계의 무부하 최대 속도만큼 올라가도록 합니다.

연삭용 공구를 사용 전에 체크합니다. 연삭용 공구는 적절하게 부착되고 자유롭게 회전할 수 있어야 합니다. 사용하기 전에 무부하로 최소 30초간 테스트하기 바랍니다. 손상되었거나 모양이 일그러져 있거나 진동이 심한 공구는 사용하기 마시기 바랍니다.

금속 연삭 작업 시 불꽃이 될 수 있습니다. 위험한 상황을 만들지 않도록 조심하기 바랍니다. 화재의 위험이 있으므로 가연성 물질은 근처에 놓지 않기 바랍니다.(불꽃이 될 수 있는 곳). 먼지 배출을 이용하지 않습니다.

불꽃이나 작업용에서 튀어오르는 먼지 등이 작업자에게 닿지 않도록 조심하기 바랍니다.

기계로 작업하기 전에 조정 너트를 단단히 죄기 바랍니다.

외부에서 전자방해가 극심할 때에는 특정한 상황에서 회전 속도에 일시적으로 변화가 생길 수 있습니다.

제조업체의 설명서에 따라 연삭 디스크를 사용하고 보관하기 바랍니다.

제 자리에 있기에 충분할 만큼 무겁지 않은 경우 작업편을 고정해야 합니다. 작업편을 손으로 회전하는 디스크 방향으로 이동하지 마십시오.

연삭용 공구의 크기는 그라인더에 적합해야 합니다.

먼지가 발생하는 작업의 경우, 기계의 통풍구가 깨끗해야 합니다. 필요하다면 기계의 전원을 끄고 먼지를 제거하기 바랍니다. 이러한 경우 비금속 물질을 사용하고 내부 부품이 손상되지 않도록 조심하기 바랍니다.

극심한 부하 또는 극심한 온도 조건에서 손상된 배터리로부터 배터리 산이 누출될 수 있습니다. 배터리 산과 접촉한 경우, 비눗물로 즉시 세척하십시오. 눈과 접촉할 경우, 최소 10분 동안 철저히 세정한 후 즉각적인 의료 조치를 취하십시오.

가정 폐기품에 있는 사용된 배터리 팩은 폐기하지도 말고, 태워서 처리하지도 마십시오. 밀워키 유통회사들이 환경 보호를 위해 다 쓴

배터리를 회수할 것을 제안함.

배터리 팩을 금속 물체(단락 위험)와 함께 보관하지 마십시오.

System M18 배터리 팩을 충전하려면 System M18 충전기만 사용하십시오. 다른 시스템의 배터리 팩을 사용하지 마십시오.

충전기의 배터리 부위에 어떤 금속 조각도 들어가는 안된다(합선 위험이 있음).

배터리 팩과 충전기를 개방하지 말고, 건조한 곳에 보관하십시오. 항상 건조한 상태로 유지하십시오.

기지에서 어떠한 작업을 시작하기 전에 배터리 팩을 제거하십시오. 연삭용 공구는 제조업체의 설명서에 따라 설치하기 바랍니다.

지정된 사용 조건

이러한 스트레이트 그라인더는 특히 작업하기 어려운 구석이나 장소에서 목재나 금속, 플라스틱, 또는 이와 유사한 재료를 연삭하는데 사용할 수 있습니다.

이 제품을 정상적인 사용법 이외의 방법으로 사용하지 마십시오.

부대용품 제조업체에서 제공하는 설명서를 참고하기 바랍니다.

이 기계는 물이 없는 환경에서의 작업에만 적합합니다.

배터리

장시간 사용하지 않은 배터리 팩은 사용하기 전에 충전해야 합니다. 50°C(122°F)를 초과하는 온도는 배터리 팩의 성능을 저하시킵니다. 열이나 햇빛에 오래 노출시키지 마십시오(과열 위험).

충전기 점접 및 배터리 팩을 정결한 상태로 유지해야 합니다.

최적의 수명을 보장하려면 사용한 후에 배터리 팩을 완전히 충전해야 합니다.

배터리 수명을 최대한 연장하려면 완전히 충전된 경우 충전기에서 배터리 팩을 제거하십시오.

30일 이상 배터리 팩을 보관하는 경우:

온도가 27°C 미만이며 습기가 없는 장소에 배터리 팩을 보관하십시오.

배터리 팩을 30% - 50% 충전된 조건으로 보관하십시오.

보관한지 6개월이 경과할 때마다 팩을 정상적으로 충전하십시오.

배터리 팩 보호 리튬 이온 배터리

매우 높은 토크에서, 고전류 드로우를 야기하는 결속, 실속 및 단락 회로 상황이 발생하고, 공구가 약 2초 동안 멈춘 다음, 공구가 꺼집니다.

재설정하려면 트리거를 해제하십시오.

극심한 환경 조건에서, 배터리 팩의 내부 온도가 급격히 상승할 수 있습니다. 이와 같은 상황이 발생 시 배터리에서 전원이 공급되지 않습니다.

리튬 배터리의 운송

리튬 이온 배터리는 위험물 범을 요건의 적용을 받습니다.

이 배터리는 현지, 국내 및 국제 규정과 법규에 따라 운송해야 합니다.

- 사용자는 추가 요건 없이 배터리를 도로를 통해 운반할 수 있습니다.
- 제3자가 리튬 이온 배터리를 상용으로 운송할 때에는 위험물 규정의 적용을 받습니다. 운송 준비 및 운송 작업은 적절히 교육을 이수한 개인만 수행해야 하고 그 과정에 해당 전문가가 동행해야 합니다.

배터리 운송 시 :

- 배터리 접촉면을 보호 및 차단하여 합선 위험을 방지하십시오.
- 배터리 팩이 포장 내에서 움직이지 않도록 고정하십시오.
- 균열 또는 누출이 있는 배터리는 운송하지 마십시오.

추가 지침은 운송 회사에 확인하십시오.

제품의 통기구를 항상 깨끗하게 유지해야 합니다.

어떠한 금속 부품도 에어링 슬롯에 유입되지 않도록 하십시오. 단락 회로의 위험이 있습니다!

반드시 Milwaukee 부속품과 Milwaukee 예비품을 사용하십시오. 설명서에 제공되어 있지 않은 구성품을 교체할 필요가 경우 Milwaukee 서비스 센터 중 한 곳에 연락하십시오(보증/서비스 센터 주소 목록을 참조).

필요 시, 제품의 분해 조립도를 주문할 수 있습니다. 현지 서비스 센터에 라벨에 표기된 제품 번호와 장비 유형을 알려주고 도면을 주문할 수 있습니다.

기호



주의! 경고! 위험!



기기에서 어떠한 작업을 시작하기 전에 배터리 팩을 제거하십시오.



제품을 시동하기 전에 주의하여 설명서를 읽으십시오.



제품을 사용할 때 항상 보안경을 착용하십시오.



장갑을 착용하십시오!



너무 힘을 가하지 않기 바랍니다.



전기 제품과 부속품을 일반 가정용 쓰레기와 함께 버리지 마십시오. 수명이 다한 전기 제품과 전자 장비는 분리 수거하고 재활용 시설에서 처리해야 합니다. 재활용에 관한 조건과 수거 지점에 대해서는 지방 정부당국이나 소매업자에게 확인하십시오.

แรงดันไฟแบตเตอรี่	12 V
ความเร็วพิกัด	5000-37000 min <sup>-1</sup>
เส้นผ่านศูนย์กลางล้อ	0.8 / 1.6 / 2.4 / 3.2 mm
เส้นผ่านศูนย์กลางสูงสุดของหินเจียร	
ผลิตภัณฑ์เจียรในที่มีเซรามิกหรือยางเป็นตัวประสาน	25 mm
ผลิตภัณฑ์เม็ดขัดตัวประสานเรซิน	25 mm
น้ำหนักตามขั้นตอนของ EPTA 01/2003	0.62 kg

### ข้อมูลเกี่ยวกับเสียงรบกวน/การสั่น

ค่าที่วัดที่กำหนดตาม EN 60745

โดยทั่วไป ระดับเสียงรบกวน A ตามน้ำหนักของเครื่องมือมีค่าเท่ากับ

ระดับความดันเสียง (ค่า K แปรผัน = 3dB(A)) 73 dB (A)

ระดับกำลังเสียง (ค่า K แปรผัน = 3dB(A)) 84 dB (A)

### อย่าลืมใส่อุปกรณ์ป้องกันหู!

ค่าการสั่นสะเทือนรวม (ผลรวมเวกเตอร์ในสามแกน) ที่กำหนดตาม EN 60745

ค่าการสั่นสะเทือน

เจาะเข้าในโลหะ 2.4 m/s<sup>2</sup>

ค่า K แปรผัน = 1.5 m/s<sup>2</sup>

การฟันทราย 2.6 m/s<sup>2</sup>

ค่า K แปรผัน = 1.5 m/s<sup>2</sup>

โลหะสำหรับการขีด 3.1 m/s<sup>2</sup>

ค่า K แปรผัน = 1.5 m/s<sup>2</sup>

หินสำหรับการขีด 1.8 m/s<sup>2</sup>

ค่า K แปรผัน = 1,5 m/s<sup>2</sup>

การตัดโลหะ 3.4 m/s<sup>2</sup>

ค่า K แปรผัน = 1.5 m/s<sup>2</sup>

### คำเตือน!

ระดับการส่งแรงสั่นสะเทือนที่ให้ออกมาในเอกสารนี้ได้รับการวัดให้สอดคล้องกับการทดสอบมาตรฐานตาม EN 60745 และอาจใช้เปรียบเทียบผลิตภัณฑ์หนึ่งกับอีกผลิตภัณฑ์หนึ่ง ซึ่งอาจใช้ในการประเมินการสัมผัสแรงสั่นสะเทือนเบื้องต้น

ระดับการส่งแรงสั่นสะเทือนที่แจ้งไว้คือระดับที่เกิดขึ้นจากการใช้งานหลัก อย่างไรก็ตาม หากใช้งานผลิตภัณฑ์ในลักษณะอื่น ด้วยอุปกรณ์เสริมที่แตกต่างจากที่แนะนำไว้ หรือขาดการบำรุงรักษาที่เหมาะสม แรงสั่นสะเทือนที่ส่งออกมาอาจมีการเปลี่ยนแปลงไป ซึ่งอาจเพิ่มระดับการสัมผัสแรงสั่นสะเทือนขึ้นอย่างมากตลอดช่วงการทำงานทั้งหมด

การประมาณระดับการสัมผัสแรงสั่นสะเทือนควรครอบคลุมถึงช่วงเวลาที่มีเปิดการใช้งานเครื่องมือหรือเครื่องมือยัดเดินเครื่องแต่ไม่ได้ทำงานจริงด้วย ซึ่งอาจลดระดับการสัมผัสแรงสั่นสะเทือนลงอย่างมากตลอดช่วงการทำงานทั้งหมด

อ่านมาตรการด้านความปลอดภัยเพิ่มเติมเพื่อปกป้องผู้ใช้จากผลของแรงสั่นสะเทือน เช่น การบำรุงรักษาผลิตภัณฑ์และอุปกรณ์เสริม การคอยดูแลให้มีอุณหภูมิการทำงานที่เหมาะสม



คำเตือน! โปรดอ่านคำเตือนเรื่องความปลอดภัยและคำแนะนำทั้งหมด การไม่ปฏิบัติตามคำเตือนและคำแนะนำอาจทำให้ถูกไฟดูด เกิดไฟไหม้ และ/หรือได้รับบาดเจ็บร้ายแรงได้

**โปรดเก็บเอกสารคำเตือนและคำแนะนำทั้งหมดเพื่อใช้อ้างอิงในอนาคต**

**คำแนะนำความปลอดภัย**

**คำเตือนด้านความปลอดภัยทั่วไปในการเจียร**

- a. เครื่องมือไฟฟ้าที่มีไว้เพื่อใช้งานเป็นเครื่องเจียร อ่านวิธีใช้ ภาพประกอบ ข้อมูลจำเพาะ และคำเตือนด้านความปลอดภัยทั้งหมดที่มากับผลิตภัณฑ์ การไม่ปฏิบัติตามคำเตือนและคำแนะนำอาจทำให้ถูกไฟดูด เกิดไฟไหม้ และ/หรือได้รับบาดเจ็บร้ายแรงได้
- b. ไม่ควรนำเครื่องมือไฟฟ้านี้ไปใช้งานแปรปรวน ชด พนทราญ หรือขัดเงา การนำเครื่องมือไฟฟ้านี้ไปใช้งานอื่นนอกเหนือจากที่ออกแบบไว้ อาจก่อให้เกิดอันตรายและผู้ได้รับบาดเจ็บได้
- c. ห้ามใช้อุปกรณ์เสริมที่ผู้ผลิตเครื่องมือไม่ได้ออกแบบและแนะนำให้ใช้งานร่วมกันโดยเฉพาะ การสามารถติดตั้งอุปกรณ์เสริมบนเครื่องมือหนักของคุณได้ ไม่ได้เป็นการรับประกันว่าเครื่องมือจะทำงานได้อย่างปลอดภัย
- d. ความเร็วที่กดของอุปกรณ์เสริม อย่างน้อยที่สุดจะต้องเท่ากับความเร็วสูงสุดที่มีตัวเลขกำกับอยู่บนเครื่องมือไฟฟ้า อุปกรณ์เสริมที่ทำงานเร็วเกินความเร็วที่กด อาจแตกหักและกระเด็นได้
- e. เส้นผ่านศูนย์กลางภายนอกและความหนาของอุปกรณ์เสริม ต้องอยู่ในที่กีดที่เครื่องมือไฟฟ้าของคุณรองรับได้ การใช้อุปกรณ์เสริมผิดขนาด ส่งผลให้ไม่สามารถป้องกันหรือควบคุมอันตรายได้
- f. ขนาดจาน ตรีพ่นทราญ หรืออุปกรณ์เสริมใดๆ ต้องพอดีกับแกนหมุนหรือประกับล็อกของเครื่องมือไฟฟ้า อุปกรณ์เสริมที่ไม่พอดีกับส่วนตัดตัดยาวของเครื่องมือไฟฟ้าจะเสถียร สั่น สะเทือนมากเกินไป และอาจทำให้สูญเสียการควบคุมได้
- g. ต้องเสียบด้ามจับที่ติดกับจาน ตรีพ่นทราญ เครื่องตัด หรืออุปกรณ์เสริมใดๆ เข้าไปในประกับล็อกหรือชด "ส่วนที่ยื่นเกินออกมา" หรือความยาวของด้ามจับจากจานไปยังประกับล็อกต้องสั้นที่สุด หากถือด้ามจับไม่แน่นพอและ/หรือส่วนที่ยื่นเกินออกมาของจานยาวเกินไป จานที่ติดตั้งอาจจะหลวมและหลุดออกมาที่อัตราความเร็วสูง
- h. ห้ามใช้อุปกรณ์เสริมที่เสียหาย ทุกครั้งก่อนใช้งาน ให้ตรวจสอบอุปกรณ์เสริมต่างๆ เช่น วงล้อขัดสี เพื่อดูรอยบิ่นและรอยแตก ตรวจสอบเป็นครั้งคราวเพื่อหารอยแตกหรือการสึกหรอที่มากเกินไป ตรวจสอบแปรปรวนเพื่อดูเส้นลวดที่หลุดหลวมหรือแตก หากเครื่องมือหนักหรืออุปกรณ์เสริมใด ให้ตรวจสอบความเสียหายหรือเปลี่ยนไปใช้อุปกรณ์เสริมที่ไม่ได้รับการเสียหายแทน หลังจากตรวจสอบและติดตั้งอุปกรณ์เสริมแล้ว ตัวคุณเองและผู้อื่นในบริเวณใกล้เคียงจะต้องอยู่ห่างจากเครื่องมือหนักของอุปกรณ์เสริมและเปิดใช้งานเครื่องมือไฟฟ้าด้วยความเร็วสูงสุดและไม่มีรีเลย์เป็นเวลาหนึ่งนาที โดยปกติแล้ว อุปกรณ์เสริมที่ได้รับการเสียหายมักจะแตกหักในระหว่างการทดสอบนี้
- i. สวมอุปกรณ์ป้องกันอันตรายส่วนบุคคล ขึ้นอยู่กับลักษณะการปฏิบัติงาน ให้เลือกใช้หน้ากากป้องกัน ที่ป้องกันตา หรือแว่นนิรภัย ตามความเหมาะสม ให้สวมหน้ากากกันฝุ่น อุปกรณ์ป้องกันเสียงดัง ถุงมือ และผ้ากันเปื้อนสำหรับช่าง ซึ่งสามารถป้องกันการถลอกเล็กน้อย หรือเศษชิ้นงานที่กระเด็นได้ ที่ป้องกันตาจะต้องสามารถป้องกันเศษชิ้นส่วนที่กระเด็นออกมาจากการทำงานในรูปแบบต่างๆ ได้ หน้ากากกันฝุ่นหรืออุปกรณ์ช่วยหายใจ ต้องสามารถกรองอนุภาคต่างๆ ที่เกิดขึ้นจากการปฏิบัติงานของคุณได้ การได้ยินเสียงที่ดังเกินไปติดต่อกันเป็นเวลานาน อาจทำให้เกิดอาการสูญเสียการได้ยิน
- j. กันบุคคลอื่นที่อยู่ใกล้เคียงให้อยู่ในระยะห่างที่ปลอดภัยจากพื้นที่ทำงาน ทุกคนที่เข้ามาในบริเวณพื้นที่ทำงานจะต้องสวมอุปกรณ์ป้องกันอันตรายส่วนบุคคล เศษชิ้นส่วนอุปกรณ์เสริมที่แตกหักอาจกระเด็นออกมาและทำให้มีผู้ได้รับบาดเจ็บ แม้จะไม่ได้อยู่ติดกับพื้นที่ปฏิบัติงานโดยตรงก็ตาม
- k. จับเครื่องมือไฟฟ้าบริเวณคว่ำจับที่หุ้มฉนวน ขณะปฏิบัติงานซึ่งมีโอกาสที่ถอดตกอาจสัมผัสกับสายไฟที่ซ่อนอยู่ได้ ซึ่งหากสายไฟดังกล่าว "มีกระแสไฟฟ้าเดินอยู่" จะทำให้ส่วนของโลหะของเครื่องมือนี้ "มีกระแสไฟฟ้า" และอาจทำให้ผู้ใช้เครื่องมือถูกไฟ

ดูดได้

- l. จับเครื่องมือให้แน่นด้วยมือในระหว่างการทำงานอยู่เสมอ แรงบิดสะท้อนของมอเตอร์สามารถทำให้เครื่องมือบิดงอได้เนื่องมาจากการเร่งความเร็วที่เพิ่มพิกัด
- m. ใช้แคลมป์เพื่อจับชิ้นงานทุกครั้งเมื่อปฏิบัติงาน อย่าถือชิ้นงานเล็กๆ ด้วยมือหนึ่งและจับเครื่องมือด้วยมืออีกข้างขณะใช้งาน การจับชิ้นงานเล็กๆ ด้วยแคลมป์จะช่วยให้คุณใช้มือทั้งสองเพื่อควบคุมเครื่องมือได้ วัตถุที่มีทรงกลม เช่น ก้านเดือย หรือท่อต่างๆ มีแนวโน้มที่จะหมุนได้ระหว่างทำการตัด และอาจทำให้วัตถุเหล่านั้นดีดขึ้นหรือกระเด็นเข้าหาคุณได้
- n. ห้ามวางเครื่องมือไฟฟ้าลงจนกว่าอุปกรณ์เสริมจะหยุดสนิท อุปกรณ์เสริมส่วนหมุนอาจติดกับพื้นผิว และกระชากเครื่องมือไฟฟ้าให้หลุดจากควบคุมของคุณ
- o. หลังจากมีการเปลี่ยนแปลงเล็กน้อยหรือทำการปรับเปลี่ยนใดๆ โปรดตรวจสอบให้แน่ใจว่าดีมีก้านจับนิรภัยประกับล็อก ชด หรืออุปกรณ์ที่ใช้ปรับใดๆ อย่างแน่นอนหา อุปกรณ์ที่ใช้ปรับคลายสามารถเคลื่อนได้โดยไม่คาดคิด ซึ่งทำให้สูญเสียการควบคุมและทำให้ส่วนประกอบที่กำลังหมุนถูกเหยียดอย่างรุนแรง
- p. ห้ามใช้งานเครื่องมือไฟฟ้าขณะถืออยู่ที่ด้านข้างของคุณ การสัมผัสกับอุปกรณ์เสริมส่วนหมุนโดยไม่ตั้งใจ อาจดึงเสื้อคุณเข้าไปบน ส่วนของอุปกรณ์ซึ่งเข้าหาลำตัวของคุณ
- q. ทำความสะอาดช่องระบายอากาศของเครื่องมือไฟฟ้าเป็นประจำ ไรฝุ่นของมอเตอร์จะดูดฝุ่นเข้าไปภายในตัวเครื่อง และหากมีฝุ่นโลหะอยู่มาจกเกินไป อาจทำให้เกิดอันตรายที่เกี่ยวข้องกับระบบไฟฟ้าได้
- r. ห้ามใช้งานเครื่องมือไฟฟ้าใกล้กับวัตถุที่ติดไฟได้ ประกายไฟอาจทำให้วัตถุเหล่านี้ติดไฟ
- s. ห้ามใช้อุปกรณ์เสริมที่จำเป็นต้องใช้หม้อหล่เย็น การใช้น้ำหรือของเหลวอื่นๆ เพื่อหล่เย็น อาจทำให้คุณถูกไฟดูดหรือชดได้

**คำเตือนเกี่ยวกับแรงสั่นและรืออื่น ๆ ที่เกี่ยวข้องกับ**

แรงสั่นหมายถึงปฏิกริยาที่เกิดขึ้นอย่างกะทันหันจากวงล้อหมุน แป้นรองชดแปรง หรืออุปกรณ์เสริมอื่นๆ ที่ถูกหนีบหรือพันกับวัตถุอื่นๆ การหนีบหรือพันกับวัตถุอื่นๆ ทำให้อุปกรณ์ส่วนหมุนสะตูดอย่างกะทันหัน ส่งผลให้เครื่องมือไฟฟ้าที่สูญเสียการควบคุม พุ่งไปในทิศทางที่ตรงข้ามกับจุดยึดในการหมุนของอุปกรณ์เสริม

เช่น หากวงล้อขัดสีพันกับชิ้นงานหรือถูกชิ้นงานหนีบไว้ ขอบของวงล้อที่อยู่ ในจุดหนีบ อาจพุ่งเข้าใส่พื้นผิวของวัตถุ ส่งผลให้วงล้อถูกตัดหรือกระเด็นออกมา วงล้ออาจพุ่งเข้าใส่หรือออกจากตัวของผู้ปฏิบัติงาน ขึ้นอยู่กับทิศทาง การหนีบหรือพันของวงล้อ ณ จุดหนีบ วงล้อซึ่งอาจขูดขีดในกรณีเหล่านี้

แรงสั่นมักเกิดจากการใช้งานเครื่องมือไฟฟ้าอย่างไม่ถูกต้อง และ/หรือการปฏิบัติตามขั้นตอนหรือสภาวะการทำงานที่ไม่ถูกต้อง ซึ่งสามารถหลีกเลี่ยงได้โดยใช้ความระมัดระวัง และปฏิบัติตามคำแนะนำด้านล่าง

- a. จับเครื่องมือไฟฟ้าให้มั่นคง และปฏิบัติงานในท่าที่ลำตัวและแขนของคุณพร้อมรับแรงสั่น ใช้ด้ามจับเสมอ หากมี เพื่อให้สามารถควบคุมแรงสั่นหรือปฏิกริยาของแรมบิตขณะเริ่มทำงานได้อย่างเต็มที่ ผู้ปฏิบัติงานจะสามารถควบคุมปฏิกริยาของแรมบิตหรือแรมบิตได้ หากดำเนินการอย่างระมัดระวัง
- b. ใช้ความระมัดระวังเป็นพิเศษ ขณะทำงานกับส่วนหมุน ขอบที่แหลมคม ฯลฯ รมบิตหรืออย่าให้อุปกรณ์ถูกตัดหรือพันกับวัตถุอื่นๆ มุม ขอบที่แหลมคม หรือการตัด มีแนวโน้มที่จะทำให้ อุปกรณ์เสริมสะตูด และอาจทำให้คุณสูญเสียการควบคุม หรือเกิดแรงสั่นได้
- c. อย่าติดตั้งใบมีดแกะสลักไม้แบบโซ่เลื่อย หรือใบมีดโซ่แบบเขียว ใบมีดลักษณะดังกล่าว จะทำให้เกิดแรงสั่นและการสูญเสียการควบคุมบ่อยๆ
- d. กดงานเข้าหาวัสดุในทิศทางเดียวกับที่วัสดุถูกตัดออก (ซึ่งเป็นทิศทางเดียวกับที่ส่วนที่เกาะจะออกถูกขับออกมา) การใช้เครื่องมือผิดทิศทางทำให้ด้านคมของจานบินออกจากชิ้นงาน และทำให้เครื่องมือกระดอนขึ้นขาในทิศทางที่ใช้งาน
- e. เมื่อเลื่อยเหล็ก ใบเจียร เครื่องตัดความเร็วสูง หรือเครื่องตัดคาร์ไบด์ซึ่งสแตน ให้จับชิ้นงานด้วยแคลมป์อย่างน้อยสองมุมจากด้านบนและด้านล่างของชิ้นงาน เลื่อยเหล็กน้อย และอาจสะท้อนกลับรุนแรงเมื่อหินเจียรติดขัด วงล้อหยุดหมุนปกติ เมื่อเลื่อยเหล็ก ใบเจียร เครื่องตัดความเร็วสูง หรือเครื่องตัดคาร์ไบด์ที่สแตนติดขัด อาจทำให้เกิดการกระโดดออกจากรองและสูญเสียการควบคุมเครื่อง

มือได้

**คำเตือนด้านความปลอดภัยเฉพาะสำหรับการใช้**

- a. ใช้ชนิดของงานที่ได้รับการแนะนำสำหรับเครื่องมือไฟฟ้าของคุณและการใช้งานเพียงเท่านั้น ตัวอย่างเช่น อย่าใช้โดยใช้ด้านข้างของหินเจียร หินเจียรแบบมีการขัดด้วย มีไว้ใช้ในการขัดพื้นผิวบริเวณเส้นรอบวง หากงานเหล่านี้ได้รับแรงจากด้านข้าง อาจทำให้แตกหักได้
- b. สำหรับหินขัดทรงกรวยและปลั๊กจะใช้เฉพาะตามจับงานที่สมบูรณ์ที่มีหน้าแปลนที่ไม่สามารถกลายได้ ซึ่งมีขนาดและความยาวที่ถูกต้อง ตามจับที่เหมาะสมจะช่วยลดโอกาสของการแตกหักได้
- c. อย่าให้มือของคุณอยู่ตรงกับและด้านหลังของงานที่กำลังหมุน ขณะที่ทำงานกำลังเคลื่อนที่ออกห่างจากมือของคุณ ในขณะที่ปฏิบัติงาน แรงถื่นที่อาจเกิดขึ้น อาจส่งผลให้งานที่กำลังหมุน พร้อมทั้งเครื่องมือไฟฟ้าพุ่งเข้าหาคุณโดยตรง
- d. การใช้แผ่นหนุนช่วยเมื่อทำงานกับชิ้นงานที่ขนาดใหญ่ จะสามารถช่วยลดความเสี่ยงที่งานจะเกิดการหนีบและเกิดแรงถื่นได้ ชิ้นงานขนาดใหญ่มักเอียงเนื่องจากน้ำหนักของตัวชิ้นงานเอง ต้องมีการวางแผ่นหนุนไว้ใต้ชิ้นงาน ใกล้กับแนวการเจียร และใกล้กับขอบของชิ้นงานที่อยู่บริเวณงานทั้งสองด้าน
- e. ใช้ความระมัดระวังเป็นพิเศษขณะ "เจาะช่อง" ฟันหรือบริเวณอื่นๆ ที่ไม่รู้ว่าด้านหลังมีอะไรอยู่ งานที่ยื่นเข้าไปอาจติดถูกท่อก๊าซหรือท่อน้ำ สายไฟ หรือวัตถุอื่นๆ ที่อาจทำให้เกิดแรงถื่นได้

**คำแนะนำเพิ่มเติมเรื่องความปลอดภัยและการใช้งาน**

สวมแว่นตาที่ทุกครั้งที่ใช้ผลิตภัณฑ์นี้ ขอแนะนำให้สวมใส่ถุงมือ รองเท้ากันลื่นที่ทนทาน และผ้ากันเปื้อน  
 หลังจากปิดสวิตช์ เครื่องจะไม่หยุดนิ่งในทันที (หลังจากใช้งานแกนหมุน) ปล่อยให้เครื่องหยุดหมุนก่อนวางลง  
 ห้ามเข้าไปในพื้นที่ยืนครายของเครื่องมือไฟฟ้าในขณะที่เครื่องกำลังทำงาน  
 ใช้เครื่องมือที่ความเร็วที่อนุญาตที่ไม่เกินความเร็วสูงสุดขณะที่ไม่มีโหลดเท่านั้น

ตรวจสอบเครื่องมือขัดก่อนการใช้งาน เครื่องมือขัดต้องได้รับการติดตั้งอย่างเหมาะสมและหมุนได้อย่างอิสระ ทำการทดสอบเป็นเวลาอย่างน้อย 30 วินาที โดยไม่มีโหลด อย่าใช้งานเครื่องมือขัดที่เสียหาย ฝืดรูป หรือสิ้น  
 ขณะขัดโลหะ อาจมีประกายไฟกระเด็นออกมา ระมัดระวังอย่าให้มีผู้ใดได้รับอันตราย เนื่องจากอันตรายจากประกายไฟ จึงต้องไม่วางวัตถุไวไฟใดๆ ไว้ในบริเวณใกล้เคียง (พื้นที่ระมัดระวังประกายไฟ) อย่าใช้เครื่องดูดฝุ่น  
 ควรใช้ความระมัดระวัง อย่าให้ประกายไฟหรือผงทรายกระเด็นจากชิ้นงานมาใส่ตัวคุณ

ต้องทำการขึ้นข้อดปรับตั้งให้แน่นสนิท ก่อนเริ่มใช้งานเครื่องมือ  
 ภายใต้อิทธิพลรบกวนของแม่เหล็กไฟฟ้าภายนอก อาจทำให้เกิดการสั้นชั่วคราวในขณะที่เครื่องทำงานได้

ใช้และจัดเก็บงานขัดตามคำแนะนำของผู้ผลิตเสมอ  
 จะต้องยึดชิ้นงานไว้ให้ผู้นึงๆ หากชิ้นงานมีน้ำหนักไม่เพียงพอที่จะวางได้อย่างมั่นคง ห้ามขยับชิ้นงานเข้าหาจนหมดด้วยมือเดียวเด็ดขาด  
 ขนาดของเครื่องขัดต้องเหมาะสมสำหรับเครื่องเจียร  
 สำหรับการดำเนินงานที่เต็มไปด้วยฝุ่น ช่องระบายอากาศต้องโล่งอยู่เสมอ หากจำเป็น ใช้ปิดสวิตช์เครื่องมือและนำฝุ่นไปทิ้ง ใช้วัสดุที่ไม่ใช่โลหะในการดำเนินการนี้ ซึ่งจะช่วยทำให้เกิดความเสียหายแก่ชิ้นส่วนภายในโดย  
 กรดแบตเตอรี่อาจรั่วซึมจากแบตเตอรี่ที่เสียหายภายใต้อุณหภูมิสูงหรือการใช้งานที่หนักมากเกินไป หากสัมผัสกับกรดแบตเตอรี่ ให้ล้างออกทันทีด้วยน้ำสบู่ หากกรดแบตเตอรี่เข้าตา ล้างตาให้ทั่วด้วยน้ำอย่างน้อย 10 นาทีและไปพบแพทย์ทันที

ห้ามทิ้งแบตเตอรี่ที่ใช้แล้วกับขยะครัวเรือนหรือโดยการเผาทำลาย ผู้แทนจำหน่ายของ Milwaukee มีข้อเสนอในการกู้คืนแบตเตอรี่เก่าเพื่อปกป้องสภาพแวดล้อมของเรา

ไม่เก็บชุดแบตเตอรี่ไว้รวมกับวัตถุอื่นที่เป็นโลหะ (เสียงต่อกรลัดวงจร)

ชาร์จชุดแบตเตอรี่ System M18 ด้วยตัวชาร์จสำหรับ System M18 เท่านั้น อย่าใช้แบตเตอรี่จากระบบอื่น ๆ

ห้ามไม่ให้มีชิ้นส่วนที่เป็นโลหะในส่วนแบตเตอรี่ของตัวชาร์จ (เสียงลัดวงจร)

ห้ามเปิดทำลายแบตเตอรี่และเครื่องชาร์จและเก็บไว้ในห้องที่แห้งเท่านั้น เก็บ

ไว้แห้งทุกครั้ง

ถอดชุดแบตเตอรี่ออกก่อนเริ่มการทำงานใดๆ กับเครื่องมือใช้  
 ตรวจสอบให้แน่ใจว่ามีการติดตั้งเครื่องขัดตามคำแนะนำของผู้ผลิต

**สภาพการใช้งานที่กำหนด**

เครื่องขัดอาจถูกใช้สำหรับการขัดไม้ เหล็ก พลาสติก หรือวัสดุลักษณะเดียวกัน โดยเฉพาะในมุมและจุดที่เข้าถึงได้ยาก  
 ห้ามใช้ผลิตภัณฑ์นี้นอกเหนือไปจากการใช้งานแบบปกติ  
 กรุณาอ่านคำแนะนำที่จัดทำโดยผู้ผลิตอุปกรณ์เสริม  
 ผลิตภัณฑ์ที่เหมาะสมสำหรับการใช้งานโดยไม่ใช้ไฟฟ้าเท่านั้น

**แบตเตอรี่**

ชุดแบตเตอรี่ใหม่มีขีดความจุโหลดเต็มหลังจากการชาร์จและ ปล่อย 4-5 ครั้ง ควรจะชาร์จชุดแบตเตอรี่ที่ยังไม่ได้ถูกนำมาใช้ ระยะหนึ่งก่อน การใช้งาน ประสิทธิภาพของชุดแบตเตอรี่จะลดลงหากอุณหภูมิสูงกว่า 50°C (122°F) หลีกเลี่ยงไม่ให้ถูกแสงแดดหรือความร้อนเป็นเวลานาน (เสียงต่อความร้อนเกิน)

ต้องหมั่นดูแลความสะอาดหน้าสัมผัสตัวชาร์จกับชุดแบตเตอรี่ เพื่อยืดอายุการใช้งาน ควรชาร์จแบตเตอรี่ให้เต็มหลังการใช้งาน เพื่อรักษาอายุแบตเตอรี่ให้มากที่สุด ให้ถอดชุดแบตเตอรี่ออกจากตัวชาร์จเมื่อชาร์จไฟเต็ม

สำหรับชุดแบตเตอรี่ที่ต้องการเก็บไว้นานกว่า 30 วัน: เก็บชุดแบตเตอรี่ไว้ที่อุณหภูมิต่ำกว่า 27°C และหลีกเลี่ยงความชื้น เก็บชุดแบตเตอรี่ไว้ที่ประจุ 30% - 50% ให้ชาร์จแบตเตอรี่ตามปกติทุกหกเดือนที่เก็บ

**การป้องกันชุดแบตเตอรี่เทียมโอออน**

ในสถานการณ์ที่เกิดแรงบิดสูง ดัดขัด สะดุด และเกิดการลัดวงจรเนื่องจากมีกระแสย้อนกลับสูง เครื่องมือจะหยุดเป็นเวลา 2 วินาทีแล้วเครื่องมือจะดับลง การรีเซ็ต ปล่อยให้

ภายใต้สถานการณ์รุนแรง อุณหภูมิภายในของแบตเตอรี่อาจจะสูงขึ้นได้ หากเกิดขึ้นนี้ ชุดแบตเตอรี่จะดับ

**การขนส่งแบตเตอรี่ลิเทียม**

แบตเตอรี่ลิเทียมโอออนอยู่ภายใต้ข้อกำหนดตามกฎหมายของสินค้าอันตราย การขนส่งแบตเตอรี่เหล่านี้ต้องกระทำตามกฎระเบียบและข้อบังคับของท้องถิ่น ของประเทศ และระหว่างประเทศ

- ผู้ใช้สามารถขนส่งแบตเตอรี่ทางถนนได้โดยไม่มีข้อกำหนดใดๆ เพิ่มเติม
- การขนส่งแบตเตอรี่ลิเทียมโอออนเชิงพาณิชย์โดยนิติบุคคลอื่นต้องดำเนินการภายใต้ระเบียบว่าด้วยสินค้าที่มีอันตราย การเตรียมการขนส่งและการขนส่งต้องดำเนินการโดยบุคลากรที่ผ่านการฝึกอบรมมาแล้วเท่านั้น และในระหว่างดำเนินการต้องมีผู้เชี่ยวชาญที่เกี่ยวข้องคอยกำกับดูแล

เมื่อขนย้ายแบตเตอรี่:

- ตรวจสอบให้แน่ใจว่าชุดแบตเตอรี่ได้รับการปกป้องและหุ้มฉนวนเพื่อป้องกันไฟฟ้าลัดวงจร
  - โปรดตรวจสอบให้แน่ใจว่าแบตเตอรี่ได้รับการบรรจุหีบห่ออย่างมั่นคงเพื่อป้องกันการขยับเขยื้อน
  - ห้ามเคลื่อนย้ายแบตเตอรี่ที่แตกหรือรั่ว
- ตรวจสอบกับบริษัทจัดส่งเพื่อขอคำแนะนำเพิ่มเติม

**การบำรุงรักษา**

หากแปรงคาร์บอนเสื่อมสภาพ นอกเหนือไปจากการเปลี่ยนแปลง ในส่วนของเครื่องมือเองก็ควรจะถูกส่งไปยังบริการหลังการขาย นี้จะช่วยให้อายุการใช้งานที่ยาวนานขึ้นและมีประสิทธิภาพการทำงานสูงสุด  
 ปล่อยให้สายลิเทียมโอออนแห้งสนิทก่อนนำไปใส่ที่ช่องอากาศ - อันตรายจากไฟฟ้าลัดวงจร!

ให้ใช้อุปกรณ์เสริมและชิ้นส่วนอะไหล่ของ Milwaukee เท่านั้น หากจำเป็นต้องเปลี่ยนชิ้นส่วนที่ไม่ได้ระบุไว้ข้างต้น โปรดติดต่อพนักงานบริการของ Milwaukee (โปรดดูรายชื่อร้านรับประกัน/บริการของเรา)

ถ้าต้องการ สามารถส่งภาพการระเบิดของเครื่องมือได้ โปรดระบุหมายเลขเอกสารและประเภทเครื่องจักรที่พิมพ์บนฉลาก และส่งภาพที่ตัวแทนบริการในพื้นที่ของท่าน

### เครื่องหมาย



ระวัง! ค่าเตือน! อันตราย!



ถอดชุดแบตเตอรี่ออกก่อนเริ่มกระทำกรใดๆ กับเครื่องใช้



โปรดอ่านคำแนะนำอย่างระมัดระวังก่อนเริ่มใช้เครื่องมือ



สวมแว่นตานิรภัยทุกครั้งที่ใช้ผลิตภัณฑ์นี้



สวมถุงมือ



อย่าสูบบุหรี่



อย่าทิ้งเครื่องมือไฟฟ้าร่วมกับขยะในครัวเรือน เครื่องมือไฟฟ้าและอุปกรณ์อิเล็กทรอนิกส์ทั้งหมดอายุใช้งานแล้วจะต้องเก็บแยกกันและส่งกลับไปยังสถานีรีไซเคิลเพื่อสิ่งแวดล้อม ตรวจสอบกับผู้มีอำนาจในท้องถิ่นของคุณหรือร้านค้าปลีกสำหรับคำแนะนำในการรีไซเคิลและจุดเก็บรวบรวม

Tegangan baterai	12 V
Kecepatan terukur	5000-37000 min <sup>-1</sup>
Diameter kolet	0.8 / 1.6 / 2.4 / 3.2 mm
Diameter badan gerinda pemotong, maksimum	
produk pemotong direkat karet atau keramik	25 mm
produk ampelas direkat-resinoid	25 mm
Bobot sesuai dengan Prosedur EPTA 01/2003	0.62 kg

#### Informasi derau/vibrasi

Nilai terukur yang ditentukan sesuai EN 60745.

Biasanya, level kebisingan tertimbang A dari alat adalah:

Tingkat tekanan suara (K Ketidakpastian=3dB(A))	73 dB (A)
Tingkat kekuatan suara (K Ketidakpastian=3dB(A))	84 dB (A)

#### Pakaihah pelindung telinga!

Total nilai vibrasi (jumlah vektor di ketiga aksis) ditentukan sesuai EN 60745.

Nilai a emisi getaran

Mengebor logam	2.4 m/s <sup>2</sup>
K Ketidakpastian=	1.5 m/s <sup>2</sup>
Pegampelasan	2.6 m/s <sup>2</sup>
K Ketidakpastian=	1.5 m/s <sup>2</sup>
Penggerindaan logam	3.1 m/s <sup>2</sup>
K Ketidakpastian=	1.5 m/s <sup>2</sup>
Penggerindaan batu	1.8 m/s <sup>2</sup>
K Ketidakpastian=	1,5 m/s <sup>2</sup>
Pemotongan logam	3.4 m/s <sup>2</sup>
K Ketidakpastian=	1.5 m/s <sup>2</sup>

#### PERINGATAN!


Tingkat emisi getaran yang diberikan dalam lembar informasi ini telah diukur sesuai dengan uji terstandar yang diberikan dalam EN 60745 dan dapat digunakan untuk membandingkan satu produk dengan yang lainnya. Dapat digunakan untuk penilaian pendahuluan terhadap paparan.

Tingkat emisi getaran yang dinyatakan mewakili penggunaan utama produk ini. Namun, jika produk digunakan untuk penggunaan yang berbeda, dengan aksesoris yang berbeda, atau pemeliharaan yang kurang memadai, maka emisi getaran mungkin akan berbeda. Hal ini dapat meningkatkan tingkat paparan secara signifikan selama periode kerja total.

Estimasi tingkat paparan terhadap getaran juga harus diperhitungkan pada saat alat dimatikan atau ketika dijalankan tetapi tidak benar-benar bekerja. Hal ini dapat menurunkan tingkat paparan secara signifikan selama periode kerja total.

Tentukan langkah-langkah keselamatan tambahan untuk melindungi operator dari efek getaran seperti: memelihara produk dan aksesoris, menjaga agar tangan tetap hangat, dan mengelola pola kerja.



 **PERINGATAN!** Baca semua peringatan keselamatan dan semua petunjuk.

Jika tidak mematuhi peringatan dan petunjuk, dapat berakibat sengatan listrik, kebakaran, dan/atau cedera parah.

**Simpan semua peringatan dan petunjuk sebagai referensi sewaktu-waktu.**

## PETUNJUK KESELAMATAN

### Peringatan keselamatan umum untuk pengerindaan:

- a. Alat listrik ini dimaksudkan untuk berfungsi sebagai gerinda. Baca semua peringatan keselamatan, petunjuk, ilustrasi, dan spesifikasi yang disertakan bersama produk. Jika tidak mematuhi peringatan dan petunjuk, dapat berakibat sengatan listrik, kebakaran, dan/atau cedera parah.
- b. Pekerjaan-pekerjaan seperti penyikatan dengan kawat, pemotongan, pengampelasan dan pemolesan tidak direkomendasikan untuk dilakukan dengan alat listrik ini. Operasi yang tidak dirancang untuk alat ini dapat menimbulkan bahaya dan menyebabkan cedera pribadi.
- c. Jangan gunakan aksesoris yang tidak dirancang khusus dan disarankan oleh pabrik alat ini. Hanya karena aksesoris dapat dipasang ke alat listrik Anda, tidak dapat menjamin pengoperasian yang aman.
- d. Kecepatan terukur aksesoris tersebut setidaknya harus sama dengan kecepatan maksimum yang ditandai di alat listrik ini. Aksesoris yang bekerja lebih cepat dari kecepatan terukurnya dapat rusak dan terlepas.
- e. Diameter luar dan ketebalan aksesoris Anda harus berada dalam tingkat kapasitas alat listrik Anda. Aksesoris yang diukur dengan tidak benar tidak dapat dijaga dan dikendalikan dengan cukup.
- f. Ukuran arbour roda, drum pengampelasan atau aksesoris lainnya harus benar-benar pas dengan spindle atau kolet alat listrik tersebut. Aksesoris yang tidak sesuai dengan perangkat keras pemasangan alat listrik ini akan kehilangan keseimbangan, bergetar secara berlebihan, dan dapat menyebabkan kehilangan kendali.
- g. Mandrel yang terpasang dengan roda, drum pengampelasan, pemotong atau aksesoris-aksesoris lain harus sepenuhnya dimasukkan ke dalam kolet atau chuck. "Overhang" atau panjang mandrel dari roda ke kolet harus minimal. Jika mandrel kurang terpasang dan/atau overhang roda terlalu panjang, roda yang terpasang dapat melonggar dan terlepas saat kecepatan tinggi.
- h. Jangan menggunakan aksesoris rusak. Sebelum menggunakan, periksa aksesoris seperti roda ampelas apakah ada serpihan dan retakan, apakah ada retakan, sobekan, atau keausan berlebih pada bantalan penyokong, apakah ada kelonggaran dan kawat yang retak pada sikat kawat. Jika alat listrik atau aksesoris terjatuh, periksa kerusakan atau pasang aksesoris yang tidak rusak. Setelah memeriksa dan memasang aksesoris, posisikan diri Anda dan orang sekitar menjauh dari bidang aksesoris berputar ini dan jalankan alat listrik ini pada kecepatan tanpa beban maksimum selama satu menit. Aksesoris yang rusak biasanya akan pecah selama waktu pengujian ini.
- i. Gunakan perlengkapan pelindung pribadi. Bergantung pada penggunaan, gunakan pelindung wajah atau kacamata keselamatan. Sewajarnya, gunakan masker debu, pelindung pendengaran, sarung tangan, dan celemek bengkak yang dapat menghentikan fragmen abrasif kecil atau benda kerja. Pelindung mata harus dapat menghentikan serpihan yang beterbangan yang dihasilkan oleh berbagai operasi. Masker debu atau respirator harus

dapat menyaring partikel yang dihasilkan oleh operasi Anda. Terpapar pada kebisingan dengan intensitas tinggi dalam waktu yang lama dapat menyebabkan kehilangan pendengaran.

- j. Jaga jarak aman bagi orang sekitar dari area kerja. Siapa pun yang memasuki area kerja harus menggunakan perlengkapan pelindung pribadi. Fragmen benda kerja atau aksesoris yang pecah dapat terlepas dan menyebabkan cedera di luar area operasi.
- k. Pegang alat listrik dengan permukaan genggam berinsulasi, saat melakukan pengoperasian di mana pengencang mungkin bersentuhan dengan perkabelan tersembunyi. Aksesoris potong yang bersentuhan dengan kabel "live" mungkin membuat komponen logam alat listrik terekspos menjadi "live" dan dapat menimbulkan sengatan listrik bagi operator.
- l. Selalu pegang alat dengan mantap di tangan Anda selama pemanasan. Reaksi torsi motor, saat alat tersebut mempercepat hingga kecepatan penuh, dapat menyebabkan alat memuntir.
- m. Jangan penjepit untuk menopang benda kerja jika memungkinkan. Jangan pernah memegang benda kerja kecil di satu tangan dan alat yang sedang digunakan di tangan yang lain. Penjepitan benda kerja kecil memungkinkan Anda menggunakan kedua tangan untuk mengendalikan alat. Material bulat seperti batang dowel, pipa atau tabung cenderung berputar ketika dipotong, dan dapat menyebabkan mata potong terikat atau terlempar ke arah Anda.
- n. Jangan sekali-kali meletakkan perkakas listrik sebelum aksesoris benar-benar berhenti. Aksesoris yang berputar dapat menarik permukaan dan menyebabkan alat listrik ini di luar kendali Anda.
- o. Setelah mengganti mata potong atau melakukan penyetelan apapun, pastikan mur kolet, chuck atau perangkat penyetelan lain dieratkan secara aman. Penyetelan perangkat yang longgar dapat bergeser tanpa terduga, menyebabkan hilangnya kendali, komponen berputar yang longgar akan terlempar dengan keras.
- p. Jangan menjalankan alat listrik ini selama Anda membawanya di samping Anda. Kontak yang tidak disengaja dengan aksesoris yang berputar ini dapat merobek pakaian Anda, yang menarik aksesoris ini ke badan Anda.
- q. Bersihkan ventilasi udara alat listrik ini secara teratur. Kipas motor akan menarik debu di dalam kerangka mesin dan akumulasi berlebih bubuk metal yang dapat menyebabkan bahaya elektrik.
- r. Jangan operasikan alat listrik ini di dekat material yang mudah terbakar. Percikan api dapat membakar material tersebut.
- s. Jangan gunakan aksesoris yang mengharuskan cairan pendingin. Penggunaan air atau cairan pendingin lainnya dapat mengakibatkan sengatan listrik dan syok.

### Kickback dan peringatan terkait

Kickback adalah reaksi mendadak terhadap roda, bantalan penyokong, sikat, atau aksesoris yang berputar yang terjepit atau tersangkut. Terjepit atau tersangkut menyebabkan kemacetan aksesoris yang berputar ini yang menyebabkan alat listrik yang tak terkendali ini dipaksa melawan arah perputaran aksesoris pada titik yang mengikat.

Misalnya, jika roda ampelas tersangkut atau terjepit karena benda kerja, tepi roda yang masuk ke dalam titik yang terjepit dapat menggali ke dalam permukaan material yang menyebabkan roda keluar atau terlepas. Roda dapat terlempar ke arah atau menjauh dari operator, tergantung arah pergerakan roda pada saat terjepit. Roda ampelas

juga dapat rusak di bawah kondisi tersebut.

Kickback merupakan akibat dari penyalahgunaan alat listrik dan/atau prosedur atau kondisi pengoperasian yang salah dan dapat dihindari dengan mengambil tindakan pencegahan seperti di bawah ini.

- Pertahankan cengkraman kuat pada alat listrik ini dan posisikan badan dan lengan Anda untuk memungkinkan Anda menahan kekuatan kickback. Selalu gunakan gagang tambahan, jika tersedia, untuk kendali maksimum terhadap kickback atau reaksi torsi selama start-up. Operator dapat mengendalikannya dengan reaksi torsi atau kekuatan kickback, jika tindakan pencegahan yang tepat diambil.
- Gunakan perhatian khusus ketika mengerjakan sudut, tepi yang tajam, dll. Hindarkan aksesoris dari memantul dan tersangkut. Sudut, tepi yang tajam, atau pantulan cenderung membuat aksesoris berputar tersangkut dan menyebabkan kehilangan kendali atau kickback.
- Jangan memasang rantai gergaji ukiran kayu atau gergaji bergigi. Pisau semacam itu dapat menyebabkan kickback yang sering dan kehilangan kendali.
- Selalu pasang mata potong ke material searah dengan tepi pemotongan yang keluar dari material (arah yang sama dengan arah serpihan terlempar). Menggerakkan alat ke arah yang salah menyebabkan tepi pemotongan mata potong keluar dari benda kerja dan menarik alat tersebut ke arah yang salah ini.
- Saat menggunakan gergaji baja, roda pemotong, pemotong berkecepatan tinggi atau pemotong karbida tungsten, benda kerja harus selalu dijepit dengan aman. Roda-roda ini akan bergeser jika mereka menjadi sedikit miring dalam alur, dan dapat menyebabkan sentakan. Ketika roda pemotong bergeser, roda tersebut biasanya pecah. Ketika gergaji baja, pemotong berkecepatan tinggi atau pemotong tungsten karbida bergeser, gergaji/pemotong ini dapat melompat dari alur dan Anda bisa kehilangan kendali terhadap alat.

#### Peringatan keselamatan khusus untuk penggerindaan:

- Gunakan hanya jenis roda yang direkomendasikan untuk alat listrik Anda dan hanya untuk aplikasi yang direkomendasikan. Sebagai contoh: Jangan menggerinda dengan sisi roda pemotong. Roda pemotong abrasif dimaksudkan untuk penggerindaan tepi, tekanan sisi yang diberikan ke roda ini dapat menyebabkan roda pecah.
- Untuk ulir kerucut abrasif dan plug hanya gunakan mandrel roda yang tidak rusak dengan flens bahu tak henti yang panjang dan ukurannya benar. Mandrel yang sesuai akan mengurangi kemungkinan kerusakan.
- Jangan posisikan tangan Anda sejajar dengan dan di belakang roda berputar. Ketika roda, pada saat pengoperasian, bergerak menjauh dari tangan Anda, sentakan yang mungkin terjadi dapat mendorong roda berputar dan alat listrik langsung ke arah Anda.
- Beri tumpuan pada panel atau benda kerja berukuran lebar untuk meminimalkan risiko roda terjepit dan tersentak. Benda kerja besar cenderung melengkung karena beratnya. Tumpuan harus diletakkan di bawah benda kerja di dekat garis pemotongan dan tepi benda kerja pada kedua sisi roda.
- Lebih berhati-hatilah saat melakukan "potongan saku" ke dalam dinding atau area teraling lainnya. Roda yang menonjol dapat memotong pipa gas atau pipa air, pengkabelan listrik, atau benda yang dapat menyebabkan sentakan.

#### PETUNJUK KESELAMATAN DAN KERJA TAMBAHAN

Selalu pakai kacamata goggle saat menggunakan produk ini.

Dianjurkan untuk memakai sarung tangan, sepatu anti-tergelincir yang kuat dan apron.

Setelah dimatikan, mesin tidak akan seketika berhenti. (Setelah menjalankan spindle benda kerja.) Biarkan mesin berhenti sebelum meletakkannya.

Jangan sekali-kali meraih menyentuh daerah berbahaya perkakas listrik ini ketika alat sedang berjalan.

Hanya gunakan alat yang kecepatan diizinkan sama dengan kecepatan tertinggi mesin tanpa beban.

Periksa alat gerinda sebelum digunakan. Alat gerinda harus benar-benar terpasang dan bebas berputar. Lakukan uji coba setidaknya selama 30 detik tanpa beban. Jangan menggunakan alat gerinda yang bergetar, tidak lagi bulat dan rusak.

Ketika menggerinda baja, terbang serpihan dapat terjadi. Berhati-hatilah agar tidak ada orang yang terancam. Karena resiko bahaya api, tidak boleh ada bahan mudah terbakar di lokasi sekitar (zona terbang percikan). Jangan gunakan ekstraksi debu.

Kehati-hatian harus dilakukan agar tidak ada percikan atau debu pengampelasan yang terbang dari benda kerja yang bersentuhan dengan Anda.

Mur penyesuaian harus dieratkan sebelum mulai bekerja dengan mesin ini.

Di bawah pengaruh gangguan elektromagnetik ekstrim dari luar, variasi sementara pada kecepatan rotasi dapat timbul pada kasus-kasus tertentu.

Selalu gunakan dan simpan cakram gerinda sesuai petunjuk produsen.

benda kerja harus tetap jika benda kerja tidak cukup berat untuk menjadi stabil. Jangan pernah memindahkan benda kerja ke cakram berputar dengan tangan.

Ukuran alat gerinda harus sesuai dengan penggerinda.

Untuk operasi berdebu, celah ventilasi mesin harus dijaga tetap bersih. Jika perlu, putuskan aliran listrik ke mesin dan bersihkan debu. Gunakan objek non-logam untuk melakukan pembersihan ini, berhati-hatilah agar tidak merusak komponen bagian dalam.

Asam baterai dapat merembes dari baterai yang rusak akibat beban atau suhu yang ekstrem. Jika asam baterai mengenai Anda, segera cuci dengan sabun dan air. Jika mengenai mata, bilas sebanyak-banyaknya selama setidaknya 10 menit dan segera dapatkan penanganan medis.

Jangan membuang unit baterai bekas dalam sampah rumah tangga atau membakarnya. Distributor Milwaukee menawarkan untuk mengambil baterai lama guna melindungi lingkungan kita.

Jangan menyimpan paket baterai bersama benda logam (risiko arus pendek).

Hanya gunakan pengisi daya System M18 untuk mengisi daya paket baterai System M18. Jangan menggunakan unit baterai dari sistem lain.

Tidak ada komponen logam yang diperbolehkan memasuki kompartemen baterai pada pengisi daya (risiko arus pendek).

Jangan sekali-kali membuka unit baterai dan pengisi daya serta hanya simpan di tempat kering. Jaga tetap kering setiap saat.

Lepaskan paket baterai sebelum memulai pekerjaan apa pun pada alat.

Pastikan alat gerinda terpasang sesuai dengan instruksi produsen.

#### KONDISI PENGGUNAAN KHUSUS

Penggerinda lurus ini dapat digunakan untuk menggerinda kayu, logam, plastik, atau material-material sejenis, terutama di sudut-sudut dan tempat-tempat yang sulit diakses.

Jangan gunakan produk ini selain penggunaan normal yang telah

dinyatakan.

Baca petunjuk yang disertakan oleh pabrikan aksesoris.

Produk ini hanya cocok untuk pekerjaan tanpa air.

## BATERAI

Pek baterai yang belum digunakan dalam satu jangka masa perlu dicas semula sebelum digunakan.

Suhu yang melebihi 50°C (122°F) akan mengurangi kinerja paket baterai. Hindari paparan berkepanjangan terhadap panas atau sinar matahari (risiko panas berlebihan).

Kontak pada pengisi daya dan paket baterai harus dijaga kebersihannya.

Untuk masa pemakaian optimal, paket baterai harus diisi dayanya hingga penuh setelah digunakan.

Untuk memaksimalkan masa pemakaian baterai, lepaskan paket baterai dari pengisi daya setelah terisi sepenuhnya.

Untuk penyimpanan paket baterai lebih dari 30 hari:

Simpan paket baterai jika suhu berada di bawah 27°C dan jauhkan dari kelembapan.

Simpan paket baterai dalam kondisi terisi dayanya 30% - 50%.

Jika penyimpanan paket baterai mencapai enam bulan, isi daya baterai seperti biasa.

## PERLINDUNGAN KEMASAN BATERAI - BATERAI LITIUION

Dalam torsi yang sangat tinggi, terikat, mogok dan situasi arus pendek yang menyebabkan tarikan arus tinggi, alat akan berhenti selama sekitar 2 detik, dan kemudian alat akan padam.

Untuk menyetel ulang, lepaskan pemacu.

Dalam kondisi ekstrem, suhu dalam baterai dapat meningkat. Jika hal ini terjadi, baterai akan padam.

## PENGANGKUTAN BATERAI LITIUION

Baterai litium-ion tunduk pada persyaratan Legislasi Barang Berbahaya

Pengangkutan baterai ini harus dilakukan sesuai regulasi dan peraturan daerah, nasional, dan internasional.

- Pengguna dapat membawa baterai di jalan tanpa peraturan lebih lanjut.
- Pengangkutan komersial baterai Litium-Ion oleh pihak ketiga tunduk pada peraturan Barang Berbahaya. Persiapan pengangkutan dan pengangkutan harus dilakukan oleh orang yang terlatih dan prosesnya harus didampingi oleh pakar yang terkait.

Ketika mengangkut baterai:

- Pastikan bahwa terminal kontak baterai terlindungi dan terisolasi untuk mencegah korsleting.
- Pastikan wadah baterai sudah dikencangkan agar tidak terpengaruh oleh pergerakan di dalam pengemasannya.
- Jangan mengangkut baterai yang retak atau bocor.

Tanyakan kepada perusahaan pengiriman untuk memperoleh pemberitahuan lebih lanjut.

## PEMELIHARAAN

Slot ventilasi mesin harus tetap bersih setiap saat.

Jangan biarkan ada komponen logam masuk ke slot ventilasi - bahaya korsleting!

Gunakan hanya aksesoris dan suku cadang Milwaukee. Jika komponen yang belum dijelaskan perlu diganti, silakan hubungi agen

servis Milwaukee.

Jika diperlukan, gambar pecahan komponen dapat dipesan.

Sebutkan no. artikel serta tipe mesin yang dicetak pada label dan pesan gambarnya di agen servis terdekat Anda.

## SIMBOL



PERHATIAN! PERINGATAN! BAHAYA!



Lepaskan paket baterai sebelum memulai pekerjaan apa pun pada alat.



Baca petunjuk dengan cermat sebelum memulai menggunakan mesin.



Selalu pakai kacamata goggle saat menggunakan produk ini.



Pakai sarung tangan.



Jangan paksa.



Jangan membuang perkakas listrik bersama dengan material limbah rumah tangga. Perkakas listrik dan peralatan elektronik yang telah mencapai akhir masa pakainya harus dikumpulkan secara terpisah dan dikembalikan ke fasilitas daur ulang yang selaras dengan lingkungan. Tanyakan kepada otoritas atau penyalur setempat mengenai daur ulang dan titik pengumpulan.

