

Product information

20 01 125

- Flat, short, wide jaws
- Knurled gripping surfaces
- Special tool steel, forged, oil-hardened

Flat Nose Pliers

DIN ISO 5745

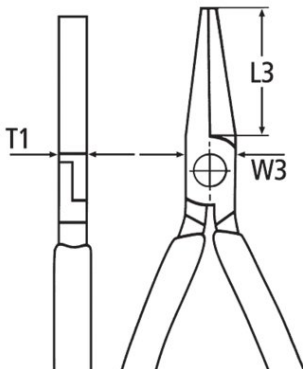


General

Article No.	20 01 125
EAN	4003773033875
Pliers	black atramentized
Head	polished
Handles	plastic coated
Weight	80 g
Dimensions	125 x 51 x 11 mm
Standard	DIN ISO 5745
REACH compliant	no
RohS compliant	no

Technical details

Jaw thickness (joint) (T1)	8.0 mm
Jaw length (L3)	27.0 mm
Head width (W3)	14.5 mm



Classification	
eCl@ss 5.1.4	21040301
ETIM 5.0	EC000833
ETIM 6.0	EC000833
proficl@ss 6.0	AAA004c004
UNSPSC 13.1	27112104

technical change and errors excepted

