

## Product information

# 20 01 140

- Flat, short, wide jaws
- Knurled gripping surfaces
- Special tool steel, forged, oil-hardened

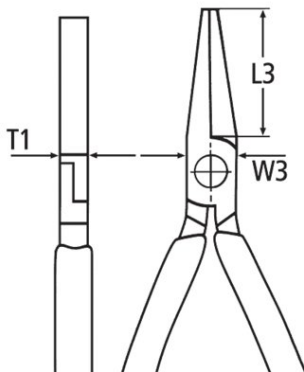
## Flat Nose Pliers

DIN ISO 5745



General	
Article No.	20 01 140
EAN	4003773022794
Pliers	black atramentized
Head	polished
Handles	plastic coated
Weight	105 g
Dimensions	140 x 50 x 11 mm
Standard	DIN ISO 5745
REACH compliant	no
RohS compliant	no

Technical details	
Jaw thickness (joint) (T1)	9.5 mm
Jaw length (L3)	28.0 mm
Head width (W3)	15.5 mm



<b>Classification</b>	
eCl@ss 5.1.4	21040301
ETIM 5.0	EC000833
ETIM 6.0	EC000833
proficl@ss 6.0	AAA004c004
UNSPSC 13.1	27112104

*technical change and errors excepted*

