

## Product information

# 20 06 160

- Flat, short, wide jaws
- Knurled gripping surfaces
- Special tool steel, forged, oil-hardened

## Flat Nose Pliers

DIN ISO 5745 IEC 60900 DIN EN 60900

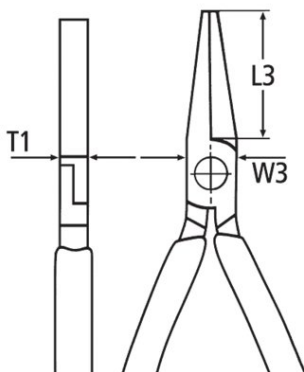


### General

Article No.	20 06 160
EAN	4003773033783
Pliers	chrome-plated
Head	chrome-plated
Handles	insulated with multi-component grips, VDE-tested
Weight	176 g
Dimensions	160 x 54 x 20 mm
Standard	DIN ISO 5745 DIN EN 60900 IEC 60900
REACH compliant	no
RohS compliant	no

### Technical details

Jaw thickness (joint) (T1)	9.5 mm
Jaw length (L3)	30.0 mm
Head width (W3)	17.0 mm
VDE tested	yes



<b>Classification</b>	
eCl@ss 5.1.4	21040301
ETIM 5.0	EC000833
ETIM 6.0	EC000833
proficl@ss 6.0	AAA004c004
UNSPSC 13.1	27112104

*technical change and errors excepted*

