

Product information

25 21 160

Snipe Nose Side Cutting Pliers (Radio Pliers)

DIN ISO 5745

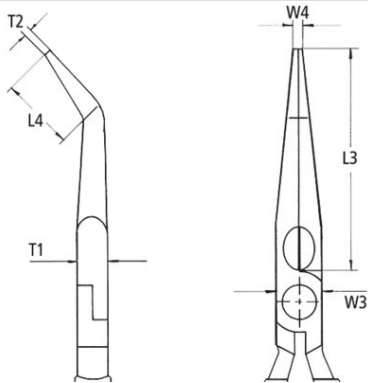
- Suitable for finer gripping and cutting work
- Half-round, long, tapered jaws
- Knurled gripping surfaces
- With cutting edges for soft, medium-hard and hard wire
- Cutting edges additionally induction-hardened, cutting edge hardness approx. 61 HRC
- 40° angled jaws
- Vanadium electric steel, forged, multi stage oil-hardened



General	
Article No.	25 21 160
EAN	4003773050476
Pliers	black atramentized
Head	polished
Handles	plastic coated
Weight	116 g
Dimensions	160 x 50 x 20 mm
Standard	DIN ISO 5745
REACH compliant	no
RohS compliant	no

Technical details	
Cutting capacities medium hard wire (diameter)	Ø 2.5 mm
Cutting capacities hard wire (diameter)	Ø 1.6 mm
Jaw thickness (joint) (T1)	9.0 mm
Tips width (W4)	3.0 mm
Tips thickness (T2)	2.5 mm
Jaw length (L3)	50.0 mm
Head width (W3)	16.5 mm
Gripping surface length (L4)	23 mm

Technical details



Classification

eCl@ss 5.1.4	21040301
profiCl@ss 6.0	AAA004c004
UNSPSC 13.1	27112134

technical change and errors excepted

