

## Product information

# 26 21 200

## Snipe Nose Side Cutting Pliers (Stork Beak Pliers)

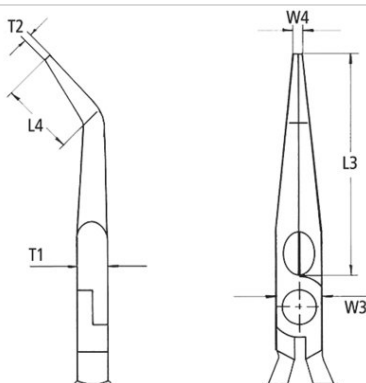
DIN ISO 5745

- Elastic tips: dimensionally stable even when twisted
- Distortion-tolerant, elastic precision tips
- Half-round, long, tapered jaws
- With cutting edges for soft, medium-hard and hard wire
- Cutting edges additionally induction-hardened, cutting edge hardness approx. 61 HRC
- 40° angled jaws
- Vanadium electric steel, forged, multi stage oil-hardened



General	
Article No.	26 21 200
EAN	4003773022848
Pliers	black atramentized
Head	polished
Handles	plastic coated
Weight	171 g
Dimensions	200 x 47 x 13 mm
Standard	DIN ISO 5745
REACH compliant	no
RohS compliant	no

Technical details	
Cutting capacities medium hard wire (diameter)	Ø 3.2 mm
Cutting capacities hard wire (diameter)	Ø 2.2 mm
Jaw thickness (joint) (T1)	9.5 mm
Tips width (W4)	3.0 mm
Tips thickness (T2)	2.5 mm
Gripping surface length (L4)	23.0 mm
Jaw length (L3)	73.0 mm
Head width (W3)	18 mm



**Classification**

eCl@ss 5.1.4	21040301
proficl@ss 6.0	EAC420c044
UNSPSC 13.1	27112134

*technical change and errors excepted*

