

## Product information

# 26 22 200 T

## Snipe Nose Side Cutting Pliers (Stork Beak Pliers)

DIN ISO 5745

- Elastic tips: dimensionally stable even when twisted
- Pliers with tether attachment point for mounting a fall protection system
- Distortion-tolerant, elastic precision tips
- Half-round, long, tapered jaws
- With cutting edges for soft, medium-hard and hard wire
- Cutting edges additionally induction-hardened, cutting edge hardness approx. 61 HRC
- Vanadium electric steel, forged, multi stage oil-hardened



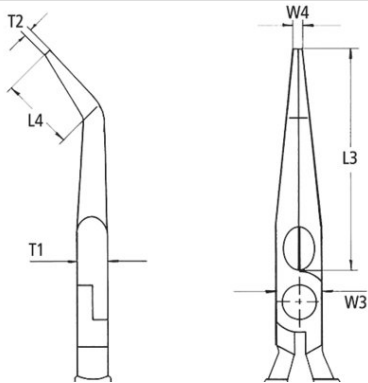
### General

Article No.	26 22 200 T
EAN	4003773080008
Pliers	black atramentized
Head	polished
Handles	with multi-component grips, with integrated tether attachment point for a tool tether
Weight	202 g
Dimensions	200 x 57 x 27 mm
Standard	DIN ISO 5745
REACH compliant	no
RohS compliant	no

### Technical details

Cutting capacities medium hard wire (diameter)	Ø 3.2 mm
Cutting capacities hard wire (diameter)	Ø 2.2 mm
Jaw thickness (joint) (T1)	9.5 mm
Tips width (W4)	3.0 mm
Tips thickness (T2)	2.5 mm
Gripping surface length (L4)	23.0 mm
Jaw length (L3)	73.0 mm
Head width (W3)	18 mm

## Technical details



## Classification

eCl@ss 5.1.4	21040301
profiCl@ss 6.0	EAC420c044
UNSPSC 13.1	27112134

*technical change and errors excepted*

