

Product information

26 25 200

Snipe Nose Side Cutting Pliers (Stork Beak Pliers)

DIN ISO 5745

- Elastic tips: dimensionally stable even when twisted
- Distortion-tolerant, elastic precision tips
- Half-round, long, tapered jaws
- With cutting edges for soft, medium-hard and hard wire
- Cutting edges additionally induction-hardened, cutting edge hardness approx. 61 HRC
- 40° angled jaws
- Vanadium electric steel, forged, multi stage oil-hardened



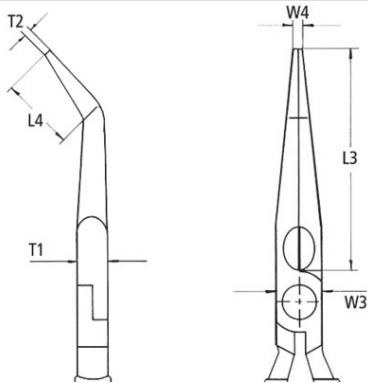
General

Article No.	26 25 200
EAN	4003773035039
Pliers	chrome-plated
Head	chrome-plated
Handles	with multi-component grips
Weight	199 g
Dimensions	200 x 48 x 19 mm
Standard	DIN ISO 5745
REACH compliant	no
RohS compliant	no

Technical details

Cutting capacities medium hard wire (diameter)	Ø 3.2 mm
Cutting capacities hard wire (diameter)	Ø 2.2 mm
Jaw thickness (joint) (T1)	9.5 mm
Tips width (W4)	3.0 mm
Tips thickness (T2)	2.5 mm
Gripping surface length (L4)	23.0 mm
Jaw length (L3)	73.0 mm
Head width (W3)	18 mm

Technical details



Classification

eCl@ss 5.1.4	21040301
profiCl@ss 6.0	EAC420c044
UNSPSC 13.1	27112134

technical change and errors excepted

