

## Product information

# 27 01 160

## Snipe Nose Pliers with centre cutter (Telephone Pliers)

- For gripping and separating of single wires in harnesses
- With centre cutter for soft wire
- Half-round jaws
- Knurled gripping surfaces
- Chrome vanadium electric steel, forged, oil-hardened

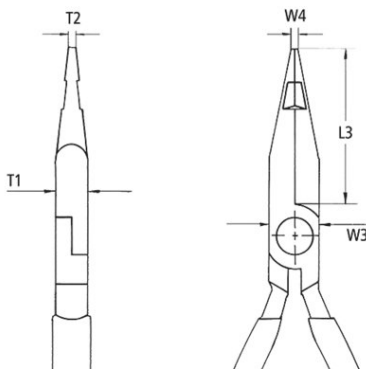


### General

Article No.	27 01 160
EAN	4003773016106
Head	polished
Handles	plastic coated
Weight	120 g
Dimensions	160 x 51 x 12 mm
REACH compliant	no
RohS compliant	no

### Technical details

Jaw thickness (joint) (T1)	9.5 mm
Tips width (W4)	3.0 mm
Tips thickness (T2)	2.0 mm
Jaw length (L3)	47.0 mm
Head width (W3)	16.5 mm



### Classification

eCl@ss 5.1.4	21040301
proficl@ss 6.0	EAC010c041
UNSPSC 13.1	27112134

technical change and errors excepted

